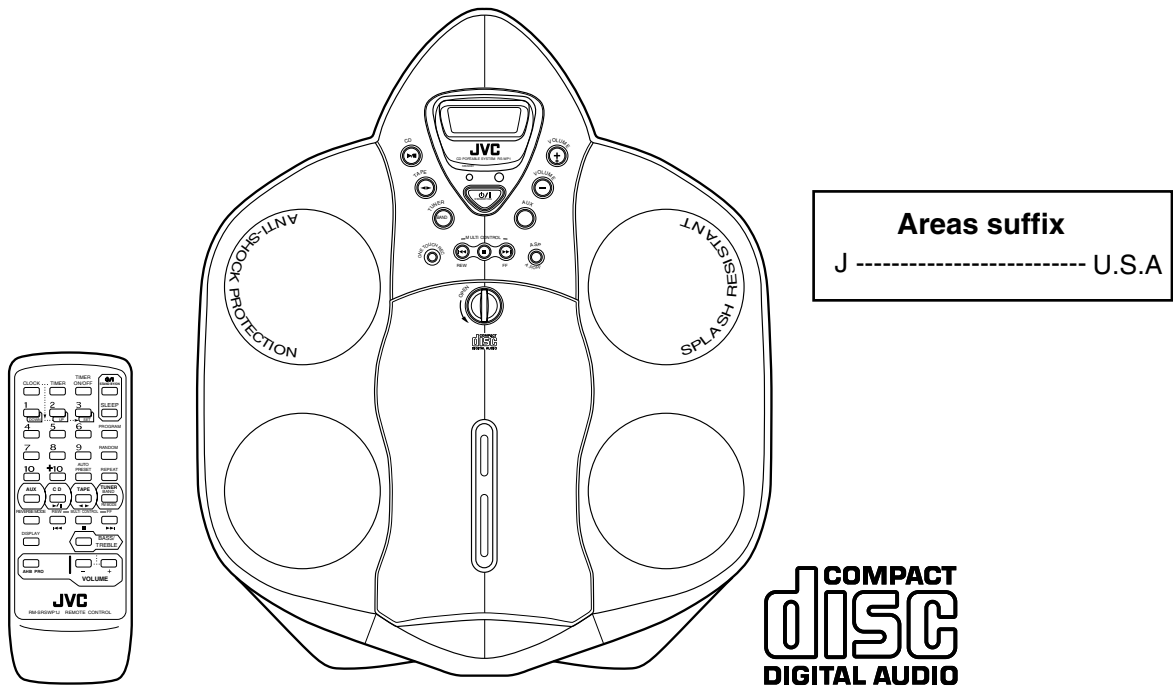


JVC

SERVICE MANUAL

CD PORTABLE SYSTEM

RS-WP1WT



Contents

Safety Precautions	1-2	Flow of functional	
Important for laser products	1-3	operation unit Toc read	1-21
Preventing static electricity	1-4	Maintenance of laser pickup	1-22
Disassembly method	1-5	Replacement of laser picup	1-22
Adjustment method	1-17	Description of major ICs	1-23

Safety Precautions

1. This design of this product contains special hardware and many circuits and components specially for safety purposes. For continued protection, no changes should be made to the original design unless authorized in writing by the manufacturer. Replacement parts must be identical to those used in the original circuits. Services should be performed by qualified personnel only.
2. Alterations of the design or circuitry of the product should not be made. Any design alterations of the product should not be made. Any design alterations or additions will void the manufacturer's warranty and will further relieve the manufacture of responsibility for personal injury or property damage resulting therefrom.
3. Many electrical and mechanical parts in the products have special safety-related characteristics. These characteristics are often not evident from visual inspection nor can the protection afforded by them necessarily be obtained by using replacement components rated for higher voltage, wattage, etc. Replacement parts which have these special safety characteristics are identified in the Parts List of Service Manual. Electrical components having such features are identified by shading on the schematics and by (\triangle) on the Parts List in the Service Manual. The use of a substitute replacement which does not have the same safety characteristics as the recommended replacement parts shown in the Parts List of Service Manual may create shock, fire, or other hazards.
4. The leads in the products are routed and dressed with ties, clamps, tubings, barriers and the like to be separated from live parts, high temperature parts, moving parts and/or sharp edges for the prevention of electric shock and fire hazard. When service is required, the original lead routing and dress should be observed, and it should be confirmed that they have been returned to normal, after re-assembling.

5. Leakage current check (Electrical shock hazard testing)

After re-assembling the product, always perform an isolation check on the exposed metal parts of the product (antenna terminals, knobs, metal cabinet, screw heads, headphone jack, control shafts, etc.) to be sure the product is safe to operate without danger of electrical shock.

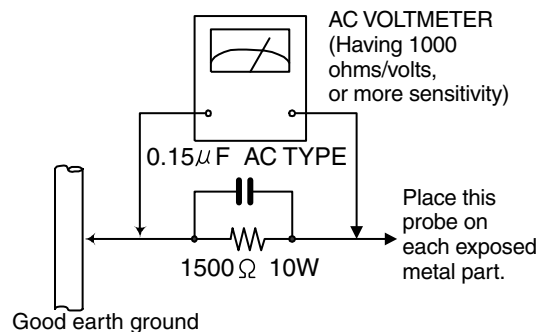
Do not use a line isolation transformer during this check.

- Plug the AC line cord directly into the AC outlet. Using a "Leakage Current Tester", measure the leakage current from each exposed metal parts of the cabinet, particularly any exposed metal part having a return path to the chassis, to a known good earth ground. Any leakage current must not exceed 0.5mA AC (r.m.s.).

- Alternate check method

Plug the AC line cord directly into the AC outlet. Use an AC voltmeter having, 1,000 ohms per volt or more sensitivity in the following manner. Connect a 1,500 Ω 10W resistor paralleled by a 0.15 μ F AC-type capacitor between an exposed metal part and a known good earth ground. Measure the AC voltage across the resistor with the AC voltmeter.

Move the resistor connection to each exposed metal part, particularly any exposed metal part having a return path to the chassis, and measure the AC voltage across the resistor. Now, reverse the plug in the AC outlet and repeat each measurement. Voltage measured any must not exceed 0.75 V AC (r.m.s.). This corresponds to 0.5 mA AC (r.m.s.).



Warning

1. This equipment has been designed and manufactured to meet international safety standards.
2. It is the legal responsibility of the repairer to ensure that these safety standards are maintained.
3. Repairs must be made in accordance with the relevant safety standards.
4. It is essential that safety critical components are replaced by approved parts.
5. If mains voltage selector is provided, check setting for local voltage.

CAUTION

Burrs formed during molding may be left over on some parts of the chassis. Therefore, pay attention to such burrs in the case of preforming repair of this system.

In regard with component parts appearing on the silk-screen printed side (parts side) of the PWB diagrams, the parts that are printed over with black such as the resistor (\blacksquare), diode (\blacksquare) and ICP (\bullet) or identified by the " \triangle " mark nearby are critical for safety.

When replacing them, be sure to use the parts of the same type and rating as specified by the manufacturer. (Except the J and C version)

Important for Laser Products

1.CLASS 1 LASER PRODUCT

2.DANGER : Invisible laser radiation when open and interlock failed or defeated. Avoid direct exposure to beam.

3.CAUTION : There are no serviceable parts inside the Laser Unit. Do not disassemble the Laser Unit. Replace the complete Laser Unit if it malfunctions.

4.CAUTION : The compact disc player uses invisible laserradiation and is equipped with safety switches which prevent emission of radiation when the drawer is open and the safety interlocks have failed or are defeated. It is dangerous to defeat the safety switches.

5.CAUTION : If safety switches malfunction, the laser is able to function.

6.CAUTION : Use of controls, adjustments or performance of procedures other than those specified herein may result in hazardous radiation exposure.

CAUTION Please use enough caution not to see the beam directly or touch it in case of an adjustment or operation check.

WARNING : Osynlig laserstrålning är denna del är öppnad och spårren är urkopplad. Betrakta ej strålen.

VARO : Avattaessa ja suojalukitus ohitettaessa olet alltiina näkymättömälle lasersäteilylle. Älä katso säteeseen.

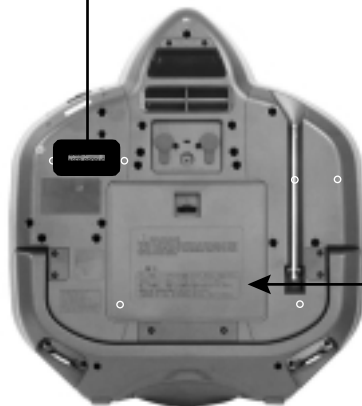
ADVARSEL : Usynlig laserstrålning ved åbning , når sikkerhedsafbrydere er ude af funktion. Undgå udsættelse for stråling.

ADVARSEL : Usynlig laserstrålning ved åbning,når sikkerhetsbryteren er avslott. unngå utsettelse for stråling.

REPRODUCTION AND POSITION OF LABELS

WARNING LABEL

CLASS 1
LASER PRODUCT



DANGER : Invisible laser radiation when open and interlock or defeated.
AVOID DIRECT EXPOSURE TO BEAM (e)

VARO : Avattaessa ja suojalukitus ohitettaessa olet alltiina näkymättömälle lasersäteilylle. Älä katso säteeseen. (d)

WARNING : Osynlig laserstrålning är denna del är öppnad och spårren är urkopplad. Betrakta ej strålen. (s)

ADVARSEL :Usynlig laserstrålning ved åbning , når sikkerhedsafbrydere er ude af funktion. Undgå udsættelse for stråling. (f)

Preventing static electricity

1. Grounding to prevent damage by static electricity

Electrostatic discharge (ESD), which occurs when static electricity stored in the body, fabric, etc. is discharged, can destroy the laser diode in the traverse unit (optical pickup). Take care to prevent this when performing repairs.

2. About the earth processing for the destruction prevention by static electricity

Static electricity in the work area can destroy the optical pickup (laser diode) in devices such as CD players.

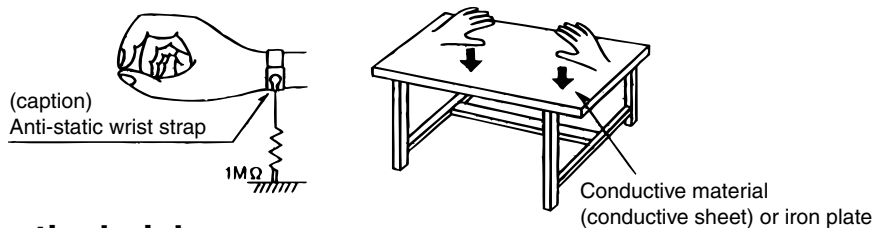
Be careful to use proper grounding in the area where repairs are being performed.

2-1 Ground the workbench

Ground the workbench by laying conductive material (such as a conductive sheet) or an iron plate over it before placing the traverse unit (optical pickup) on it.

2-2 Ground yourself

Use an anti-static wrist strap to release any static electricity built up in your body.



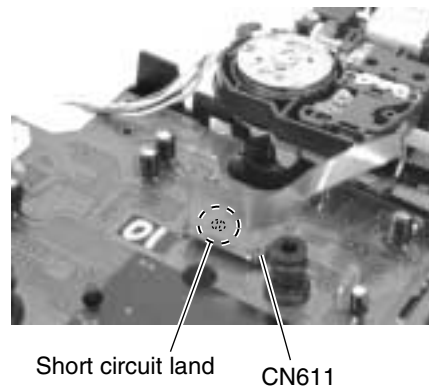
3. Handling the optical pickup

1. In order to maintain quality during transport and before installation, both sides of the laser diode on the replacement optical pickup are shorted. After replacement, return the shorted parts to their original condition. (Refer to the text.)
2. Do not use a tester to check the condition of the laser diode in the optical pickup. The tester's internal power source can easily destroy the laser diode.

4. Handling the traverse unit (optical pickup)

1. Do not subject the traverse unit (optical pickup) to strong shocks, as it is a sensitive, complex unit.
2. Cut off the shorted part of the flexible cable using nippers, etc. after replacing the optical pickup. For specific details, refer to the replacement procedure in the text. Remove the anti-static pin when replacing the traverse unit. Be careful not to take too long a time when attaching it to the connector.
3. Handle the flexible cable carefully as it may break when subjected to strong force.
4. It is not possible to adjust the semi-fixed resistor that adjusts the laser power. Do not turn it

CAUTION: Prior to disconnecting the flexible wire extending from the pickup, solder it to the short circuit land to prevent damage to the pickup.



Disassembly method

■ Removing the front panel assembly / rear panel assembly (See Fig.1)

1. Remove the nine screws **A** attaching the rear panel assembly on the back of the body.
2. Pull out the front panel assembly and the rear panel assembly. Disconnect the speaker terminal on the front side and connector CN112 on the connection board on the rear side at the same time.

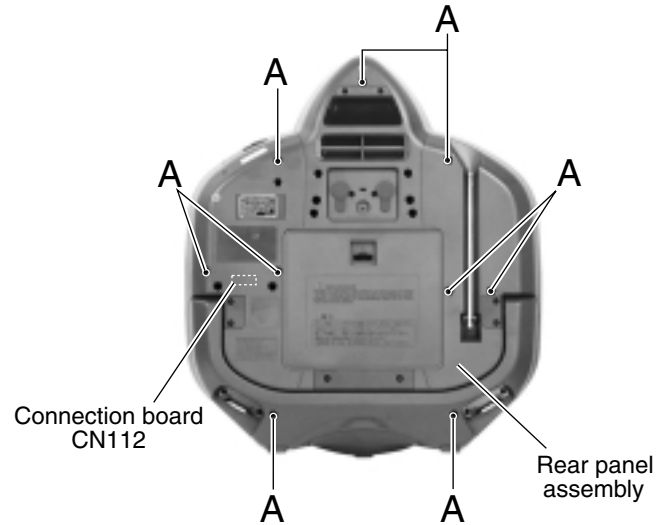


Fig.1

■ Removing the CD mechanism assembly section (See Fig.2)

- Prior to performing the following procedures, remove the rear panel assembly.
1. Disconnect the card wire from connector CN614 and the wire from CN624 on the CD mechanism assembly respectively.
 2. Remove the three screws **B** attaching the CD mechanism assembly section.

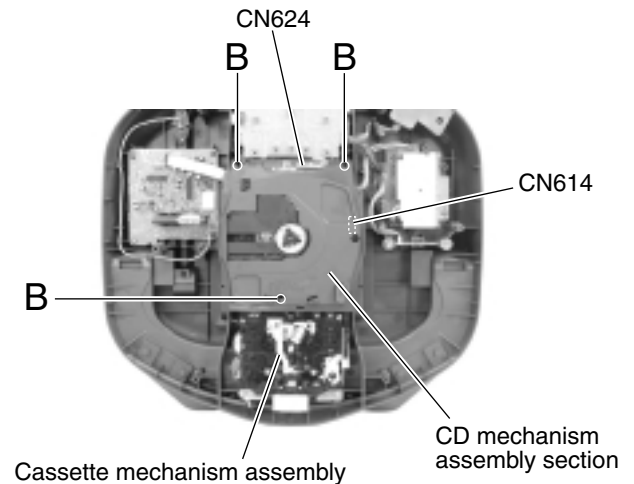


Fig.2

■ Removing the cassette mechanism assembly (See Fig.3)

- Prior to performing the following procedures, remove the rear panel assembly and the CD mechanism assembly section.
1. Disconnect the card wire from connector CN33, CN34 on the cassette mechanism assembly.
 2. Remove the four screws **C** and the cassette mechanism assembly with the wire cover.

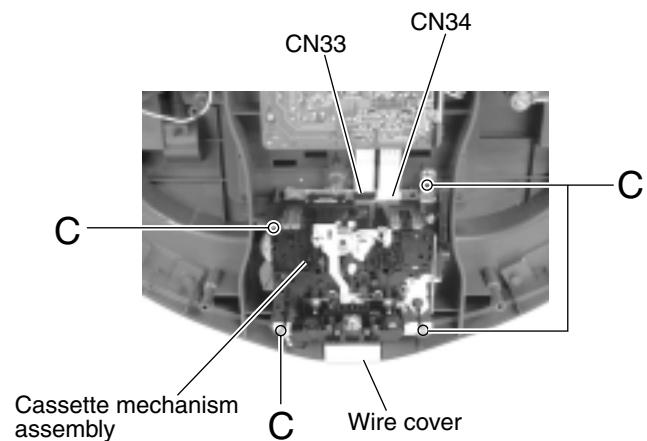


Fig.3

■ **Removing the function switch board**
(See Fig.4)

- Prior to performing the following procedures, remove the rear panel assembly.
1. Disconnect the card wire from connector CN921 on the function switch board.
 2. Remove the two screws **D** and move the function switch board in the direction of the arrow to disengage the two joints **a**.

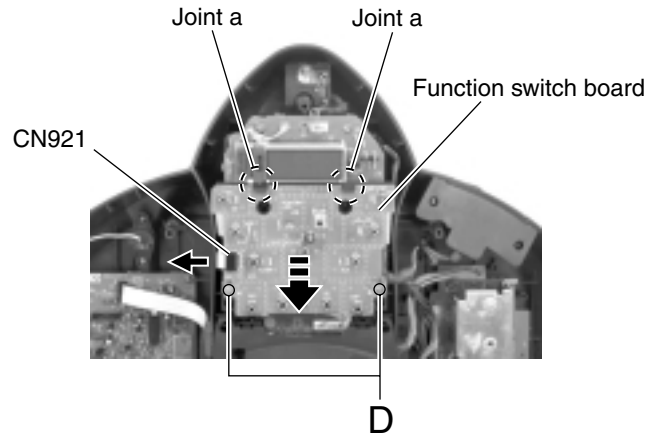


Fig.4

■ **Removing the LCD spare board / LED board**
(See Fig.5 and 6)

- Prior to performing the following procedures, remove the rear panel assembly.
1. Remove the LCD spare board while pulling each joint hook **b** outward.
 2. Pull out the LED board.
 If necessary, unsolder FW925 soldering the wire on the LED board.

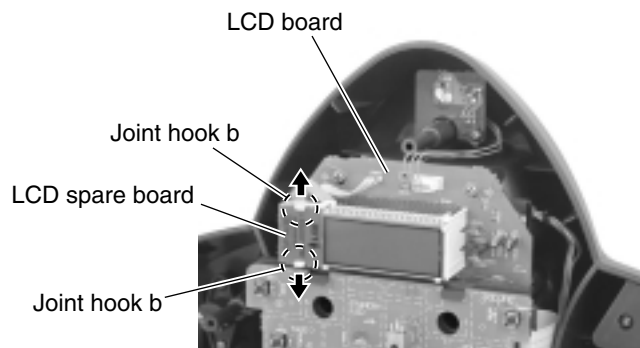


Fig.5

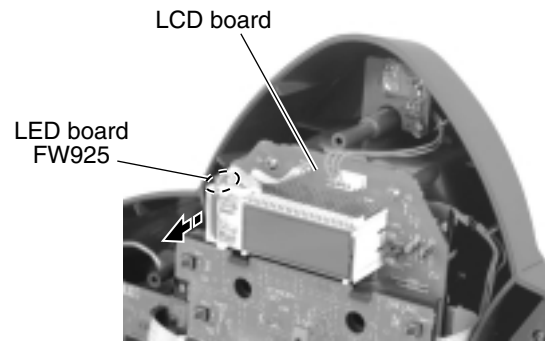


Fig.6

■ Removing the LCD board (See Fig.7 and 8)

- Prior to performing the following procedures, remove the rear panel assembly and the function switch board.

1. Remove the four screws **E** attaching the bracket.
2. Disconnect the card wire from connector CN421, CN422 and the wire from CN913 on the LCD board respectively.
3. Disconnect the wire from connector CN624 on the CD mechanism assembly.
4. Remove the two screws **F** attaching the LCD board (The LCD spare board and the LED board are still attached to the LCD board).

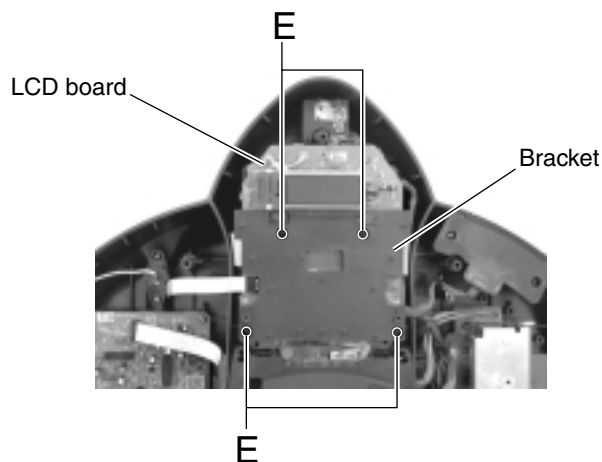


Fig.7

■ Removing the headphone jack board (See Fig.9 and 10)

- Prior to performing the following procedures, remove the rear panel assembly.

1. Remove the two screws **G** attaching the headphone jack board bracket.
2. Pull out the headphone jack board bracket and the headphone cover at the same time.
3. Remove the two screws **H** attaching the headphone jack board.
4. Disconnect the wire from connector CN711 on the headphone jack board.

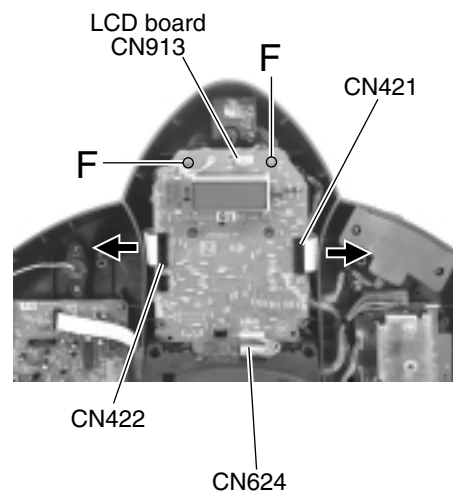


Fig.8

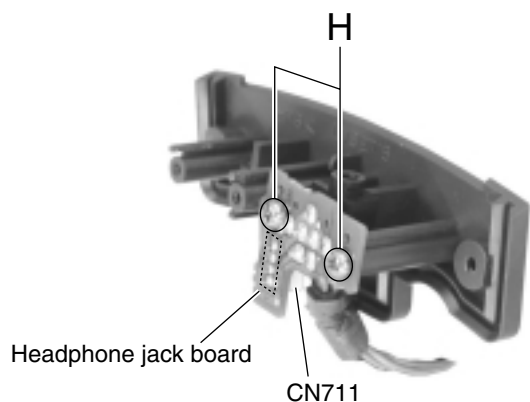


Fig.10

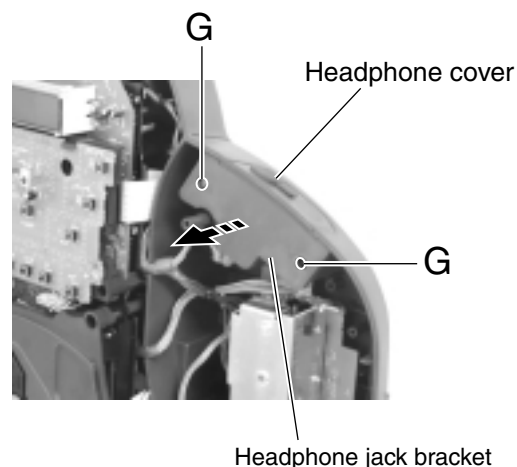


Fig.9

■ Removing the main board / sub (1) board / sub (2) board (See Fig.11 to 13)

- Prior to performing the following procedures, remove the rear panel assembly, the CD mechanism assembly section and the LCD board.

1. Remove the two screws **J** attaching the main board on the back of the rear panel assembly.
2. Disconnect the card wire from connector CN43 and CN44 on the main board on the inside of the rear panel assembly.
3. Disconnect the wire from connector CN101 and CN103 on the power board.
4. Disconnect the wire from connector CN401 on the battery board.
5. Remove the six screws **K** attaching the main board. Disconnect the card wire from connector CN91 on the reverse side of the main board.
6. Remove the screw **L** and disconnect the sub (1) board from connector CN341 on the main board.
7. Disconnect the sub (2) board from connector CN371 on the main board.

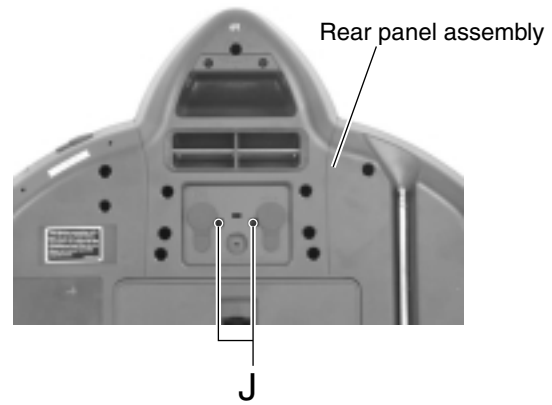


Fig.11

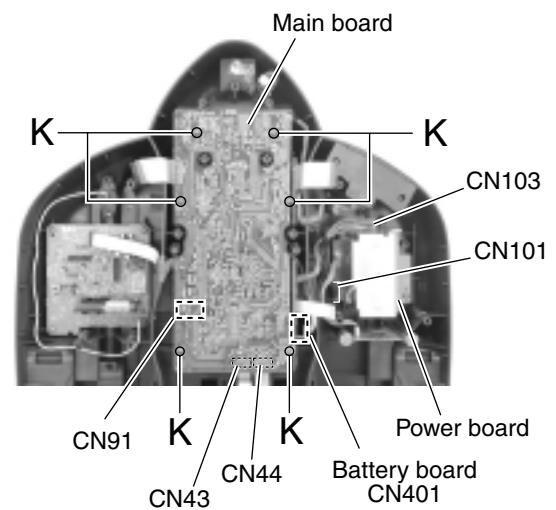


Fig.12

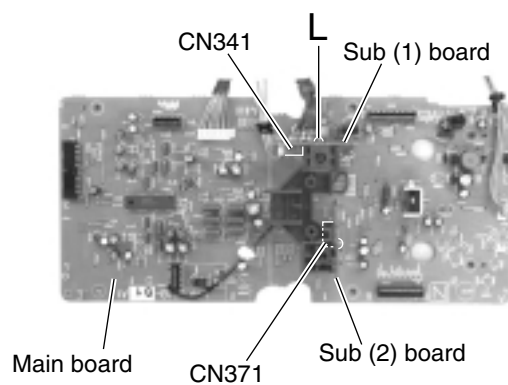


Fig.13

■ Removing the remocon board (See Fig.14)

- Prior to performing the following procedure, remove the rear panel assembly.
1. Remove the screw **M** attaching the remocon board and disconnect the wire from connector CN913 on the LCD board.

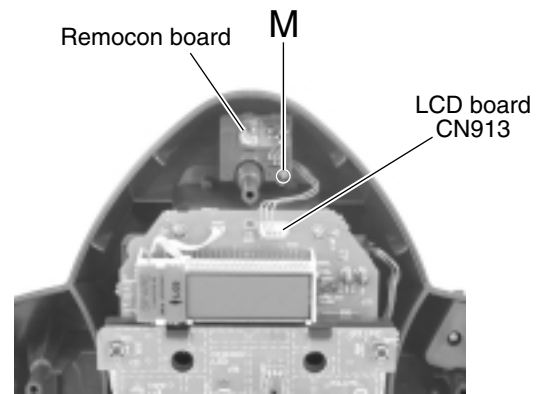


Fig.14

■ Removing the tuner board (See Fig.15)

- Prior to performing the following procedures, remove the rear panel assembly.
1. Disconnect the card wire from connector CN1 and the antenna wire from TP1 on the tuner board respectively.
 2. Remove the four screws **N** attaching the tuner board.

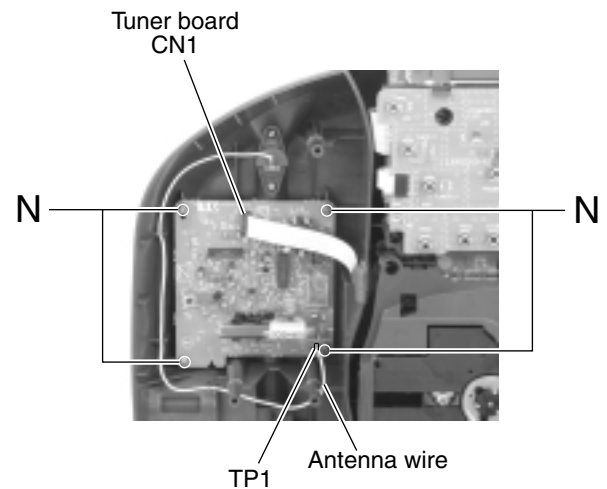


Fig.15

■ **Removing the power board**
(See Fig.16 to 18)

• Prior to performing the following procedures, remove the rear panel assembly.

1. Disconnect the wire from connector CN101, CN102 and CN103 on the power board.
2. Remove the four screws **O** attaching the power board.
3. Remove the three screws **O'** attaching the heat sink.
4. Disengage the two joints **c** and remove the heat sink from the power board.

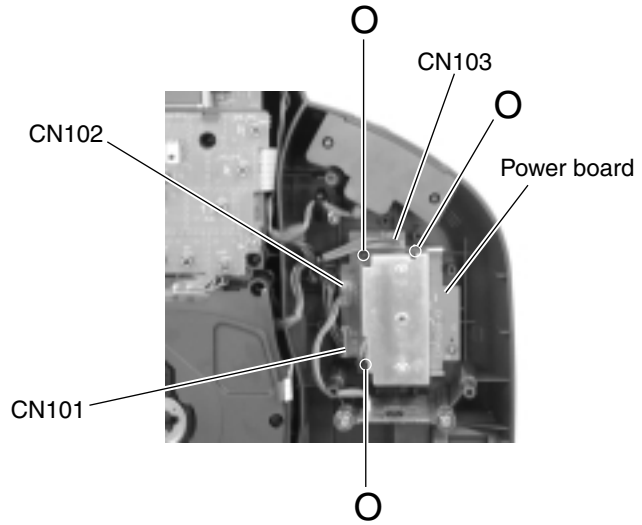


Fig.16

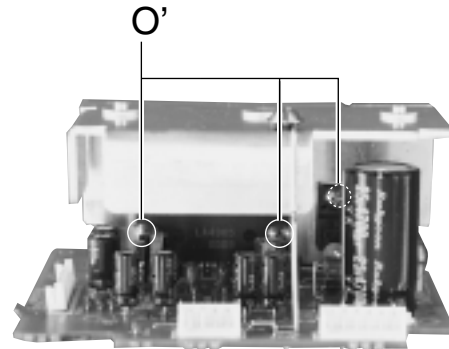


Fig.17

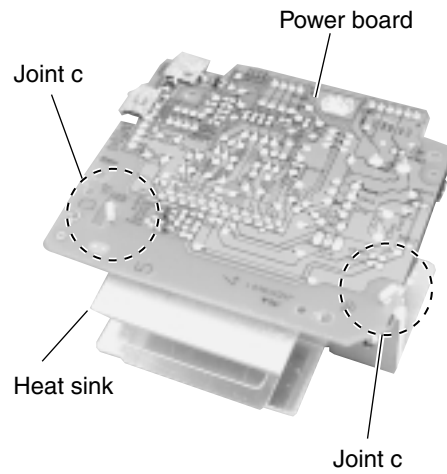


Fig.18

■ Removing the connection board (See Fig.19)

- Prior to performing the following procedures, remove the rear panel assembly.
1. Disconnect the wire from connector CN102 on the power board.
 2. Remove the two screws **P** and pull out the connection board.

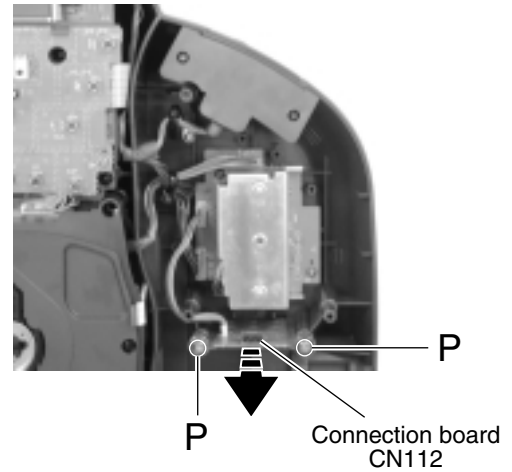


Fig.19

■ Removing the battery board (1) / battery board (2) (See Fig.20 and 21)

- Prior to performing the following procedures, remove the rear panel assembly.
1. Remove the battery cover on the back of the rear panel assembly.
 2. Remove the two screws **Q** retaining the battery board (1).
 3. Pull out the battery board (1) and disconnect the wire from inner connector CN401.
 4. Remove the two screws **R** and pull out the battery board (2).

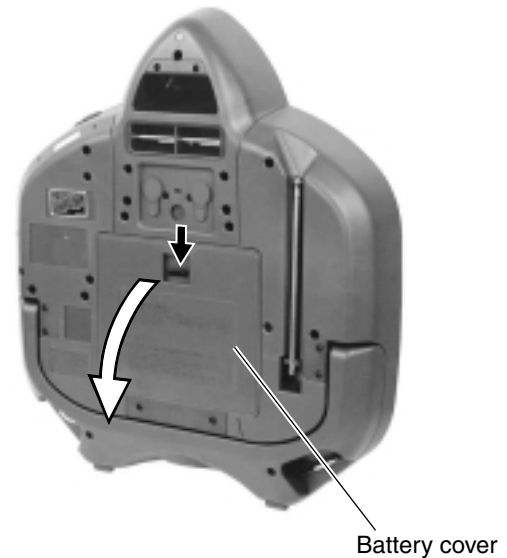


Fig.20

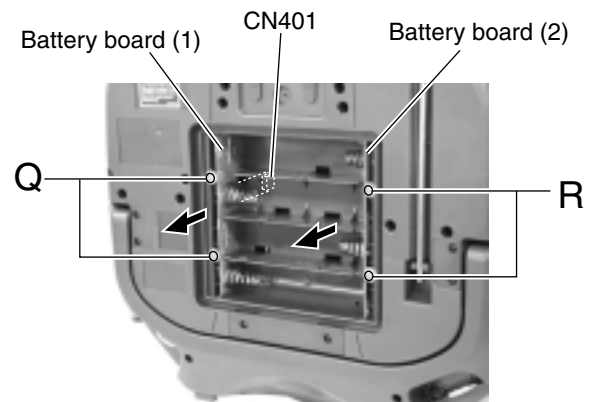


Fig.21

<CD mechanism assembly section>

- Prior to performing the following procedures, remove the rear panel assembly and the CD mechanism assembly section.

■ Removing the CD mechanism assembly (See Fig.22 to 26)

CAUTION: Prior to disconnecting the flexible wire extending from the pickup, solder it to the short circuit land to prevent damage to the pickup.

1. Release the three joint hooks **d** retaining the CD mechanism cover.
2. Disconnect the wire from connector CN612 on the CD servo board.
3. Remove the CD mechanism assembly from the three dampers.
4. Solder the flexible wire connected to connector CN611 on the CD servo board to the short circuit land under the flexible wire.
After soldering, disconnect the pickup wire from connector CN611.

CAUTION: When reassembling, connect the pickup wire extending from the pickup to connector CN611 on the CD servo board. Then unsolder the wire soldered to the short circuit land.

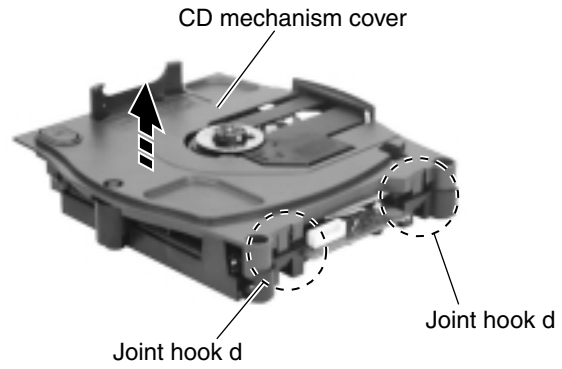


Fig.22

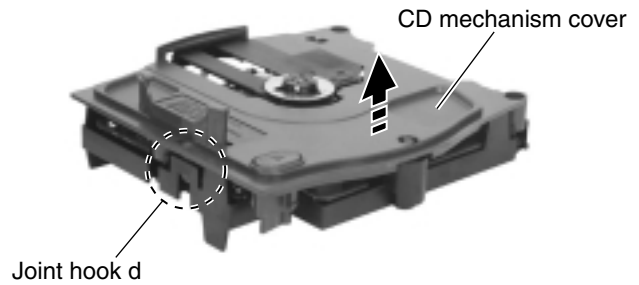


Fig.23

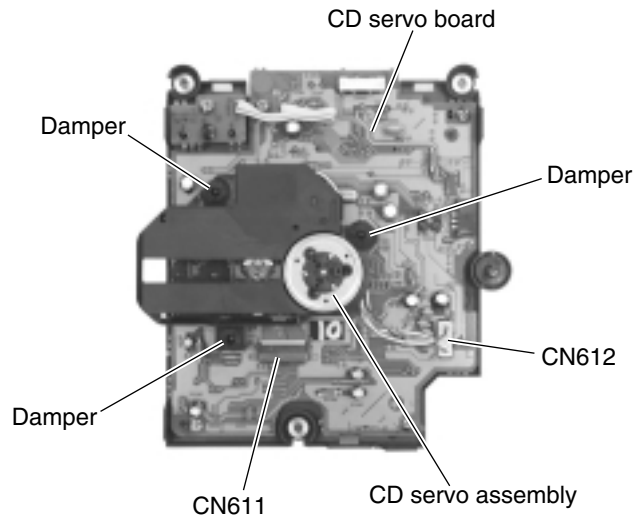


Fig.24

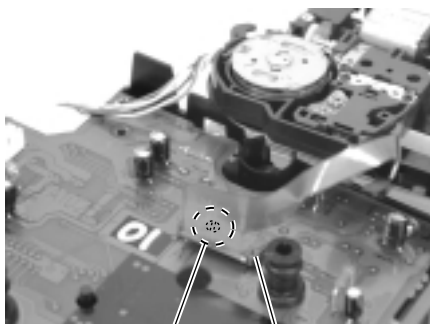


Fig.26

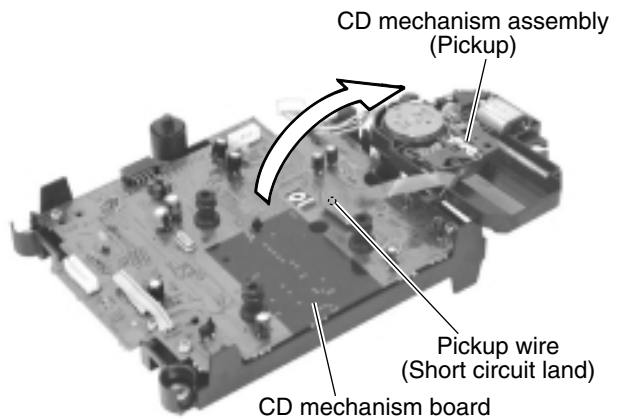


Fig.25

■ Removing the CD servo board

(See Fig.27)

- Prior to performing the following procedure, remove the CD servo assembly.
1. Remove the four screws **S** retaining the CD servo board.
 2. Unsolder FW616 where the wire extending from the OPEN / CLOSE switch board is soldered.

■ Removing the OPEN / CLOSE switch board (See Fig.27)

- Prior to performing the following procedure, remove the CD mechanism cover.
1. Remove the screw **T** retaining the OPEN / CLOSE switch board.
 2. Unsolder FW626 where the wire extending from the CD mechanism board is soldered.

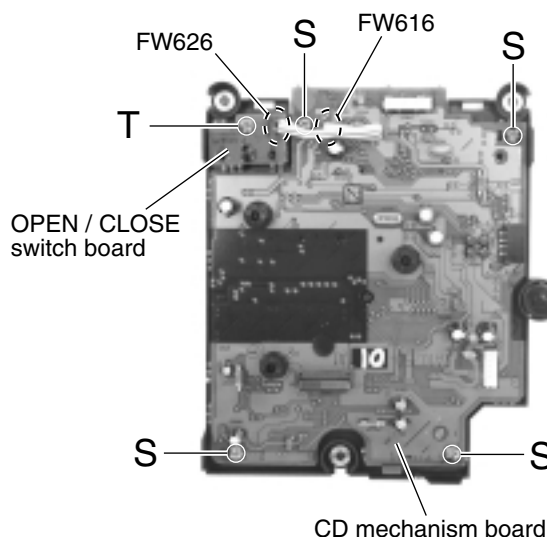


Fig.27

<Front assembly>

■ Removing the speaker assembly (R) and (L) (See Fig.28)

- Prior to performing the following procedure, remove the front assembly.
1. Remove the four screws **U** attaching the speaker assembly (R).
 2. Remove the four screws **V** attaching the speaker assembly (L).
 3. Remove the screw **W** attaching the speaker terminal. If necessary, disconnect the wire from each speaker terminal.

■ Removing the sub speaker assembly (R) and (L) (See Fig.28)

- Prior to performing the following procedure, remove the front assembly.
1. Remove the four screws **X** attaching the sub speaker assembly (R).
 2. Remove the four screws **Y** attaching the sub speaker assembly (L). If necessary, disconnect the wire from each speaker terminal.

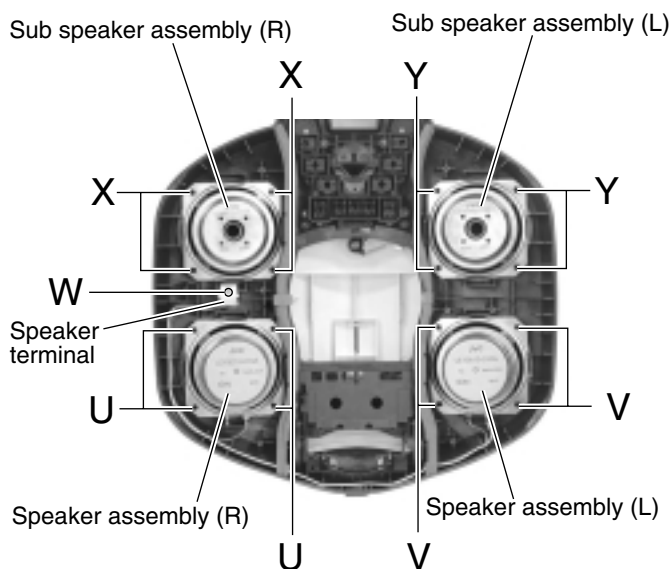


Fig.28

<Cassette mechanism section>

■ Removing the playback / recording & eraser head (See Fig. 1 to 3)

1. While shifting the trigger arms seen on the right side of the head mount in the arrow direction, turn the flywheel R in counterclockwise direction until the head mount has gone out with a click (See Fig. 1).
2. When the flywheel R is rotated in counterclockwise direction, the playback / recording & eraser head will be turned in counterclockwise direction from the position in Fig. 2 to that in Fig. 3.
3. At this position, disconnect the flexible P.C. board (outgoing from the playback / recording & eraser head) from the connector CN31 on the head amplifier & mechanism control P.C. board.
4. Remove the flexible P.C. board from the chassis base.
5. Remove the spring 1 from behind the playback / recording & eraser head.
6. Loosen the reversing azimuth screw retaining the playback / recording & eraser head.
7. Take out the playback / recording & eraser head from the front of the head mount.
8. The playback / recording & eraser head should also be removed similarly according to steps 1 to 7 above.

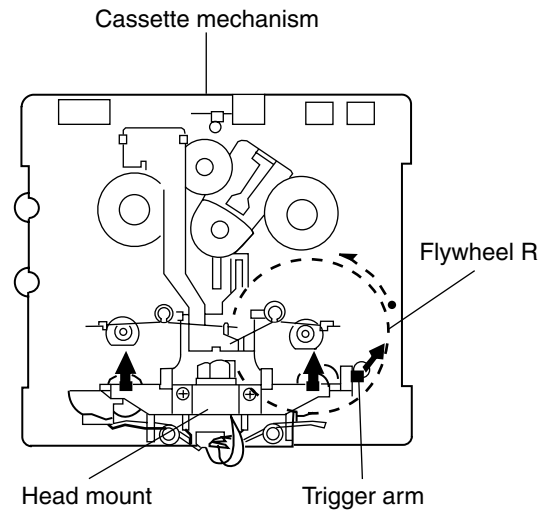


Fig. 1

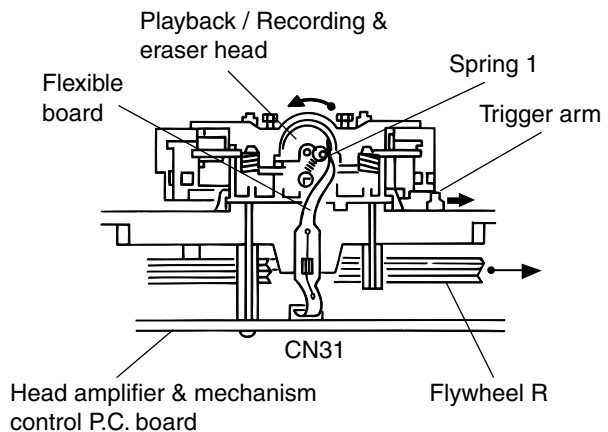


Fig. 2

■ Reassembling the playback / recording & eraser head (See Fig.3)

1. Reassemble the playback head from the front of the head mount to the position as shown in Fig. 3.
2. Fix the reversing azimuth screw.
3. Set the spring 1 from behind the playback / recording & eraser head.
4. Attach the flexible P.C. board to the chassis base, as shown in Fig. 3.
5. The playback / recording & eraser head should also be reassembled similarly to step 1 to 4 above.

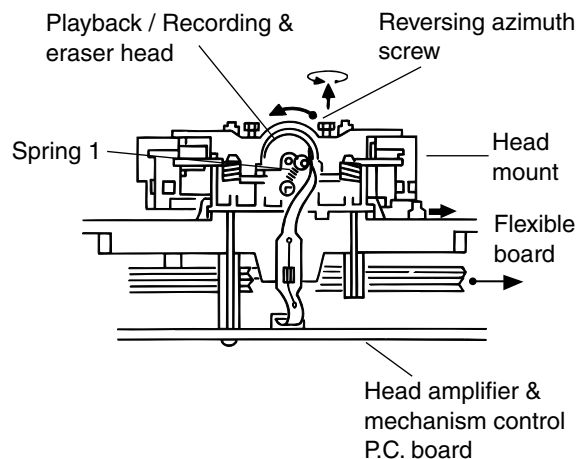
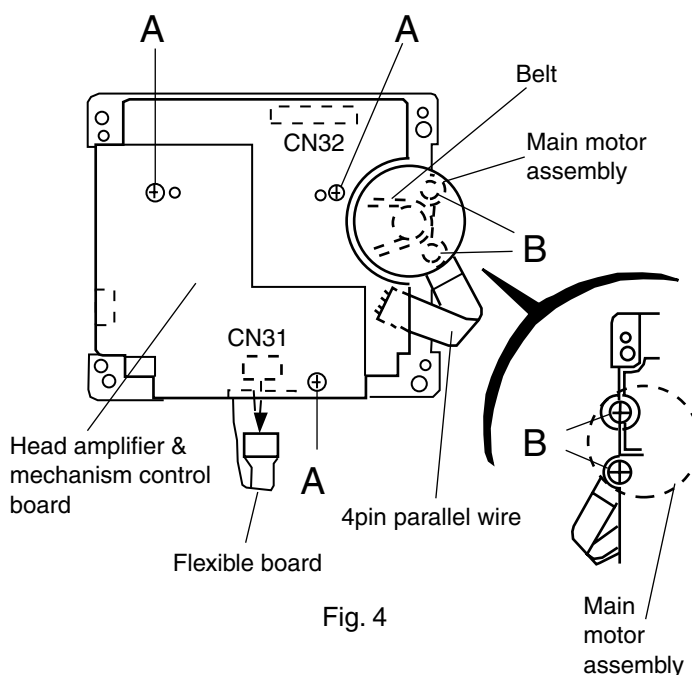


Fig. 3

■ Removing the head amplifier & mechanism control board (See Fig. 4)

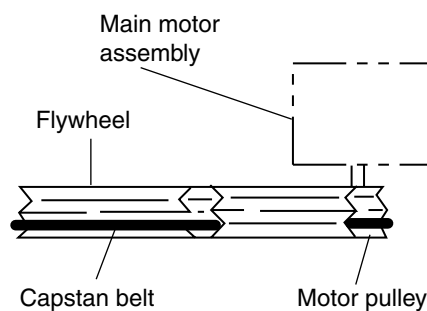
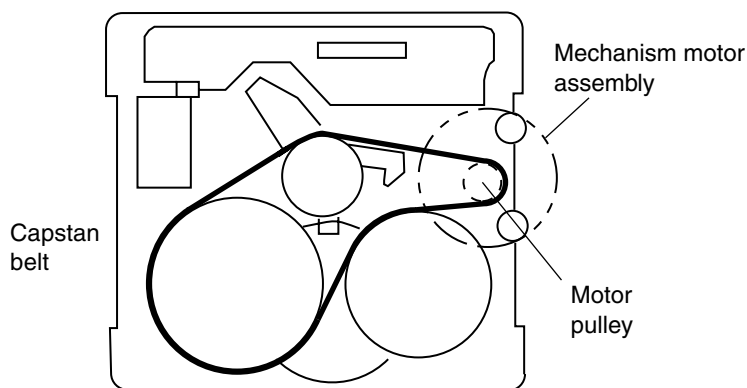
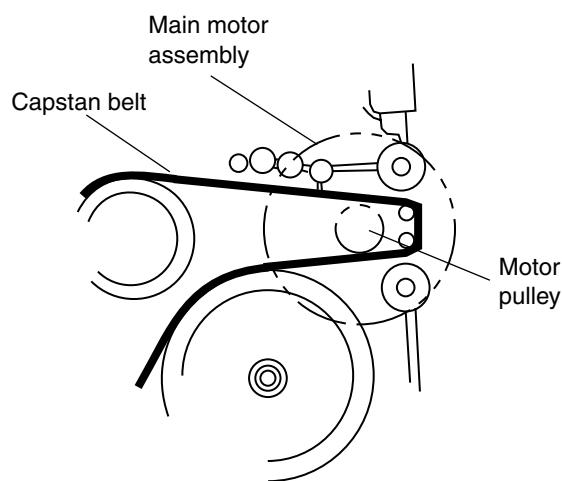
1. Remove the cassette mechanism assembly.
2. Disconnect the flexible wire from connector CN31 to the flexible board.
3. After turning over the cassette mechanism assembly, remove the three screws **A** retaining the head amplifier & mechanism control board.
4. Disconnect the connector CN32 on the board including the connector CN 1 on the reel pulse P.C. board.
5. When necessary, remove the 4 pin parallel wire soldered to the main motor.



■ Removing the main motor assembly

1. Remove the two screws **B** retaining the main motor assembly (See Fig. 4 and 4a).
2. While raising the main motor, remove the capstan belt from the motor pulley (See Fig. 4a).

CAUTION: Be sure to handle the capstan belt so carefully that this belt will not be stained by grease and other foreign matter. Moreover, this belt should be hanged while referring to the capstan belt hanging method in Fig. 5 and 6.



■ **Removing the flywheel (See Fig. 7 and 8)**

1. Remove the head amplifier & mechanism control P.C. board.
2. Remove the main motor assembly.
3. After turning over the cassette mechanism, remove the two slit washers **1** and fixing the capstan shafts R and L, and pull out the flywheel R and L respectively from behind the cassette mechanism.

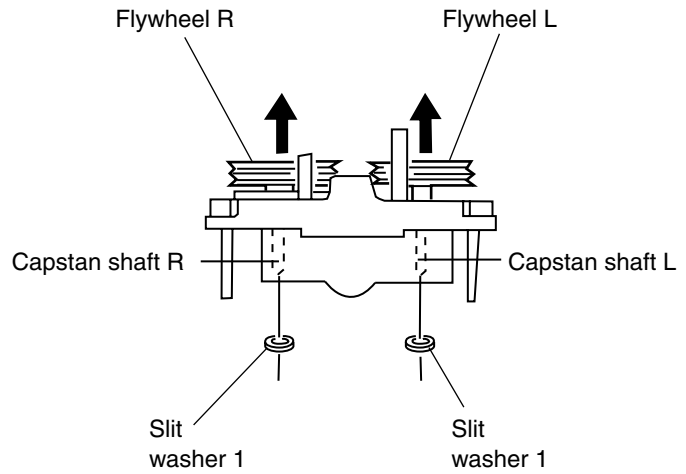
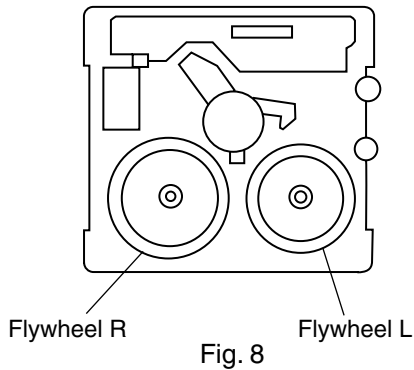


Fig. 7

■ **Removing the mecha braket reel pulse P.C. board and solenoid (See Fig. 9 and 10)**

1. Remove the screw C attaching the mecha braket assembly on the cassette assembly.
2. Remove the screw D attaching the reel pulse board.
3. Remove the five pawls **a** to **e** reattaining the reel pulse board.
4. From the surface of the reel pulse board parts, remove the two pawls **f** and **g** retaining the solenoid.

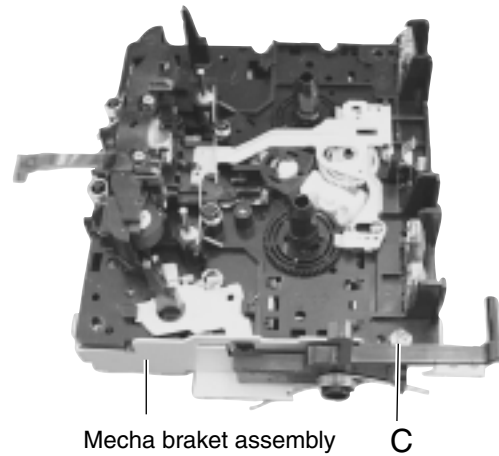


Fig. 9

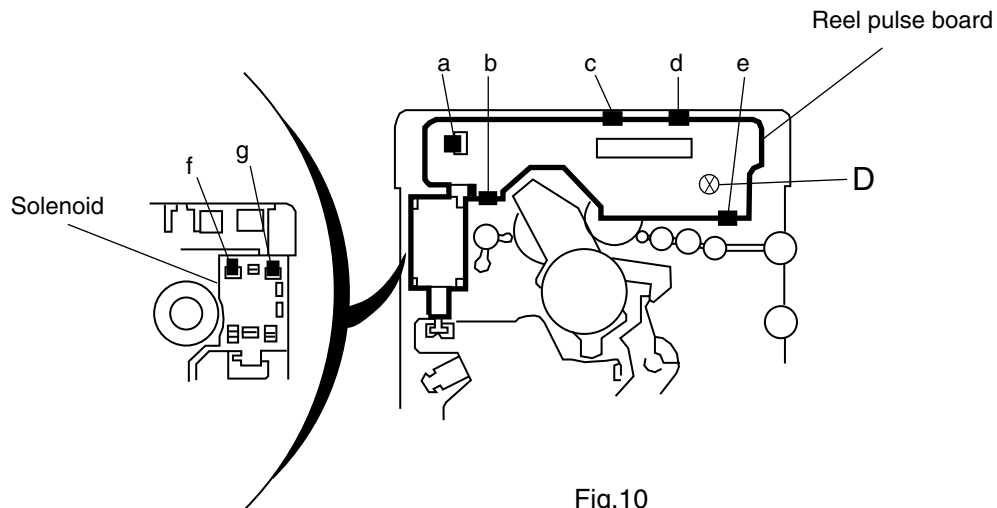


Fig.10

Adjustment method

■ Measuring devices necessary for adjustment

1. Low-frequency oscillator
It must have the ability to output 600ohm from 0 dBs at an oscillation frequency of 20 Hz-50 Hz.
2. Attenuator impedance: 600ohm
3. Electronic voltmeter
4. Distortion meter
5. Frequency counter
6. Wow and flutter meter
7. Test tapes
VT-712: tape speed and rotational distortion (3 kHz)
VT-724: standard level (1 kHz)
VT-703: head angle adjustment (10 kHz),
or use VT-73
VT-739: reproduction of frequency characteristics
(1 kHz, 63 Hz, 10 kHz)
8. Blank tape
Type I : AC-225 (TDK-AD)
Type II : AC-514 (TDK-SA)
9. Torque gauge: Tension gauge for playback,
fast-forward and rewind.
FWD (TW211A), REW (TW212A)
and FF/REW (TW2231A)

■ Specifications for measurement

- Power supply voltage AC 230 V (50 Hz)
Standard output Speaker: 0.775V/4ohm
Headphone: 0.245V/32ohm
Standard frequency and input level
..... 1 kHz: AUX: -8 dBs
Input level for reproduction of recording characteristics
..... AUX: -28 dBs
Measuring output terminal Speaker: CN112
Load resistance 4ohm

■ Radio input signal

- AM frequency 400 Hz
Degree of modulation in AM band 30%
FM frequency 400 Hz
Frequency deviation in FM band 22.5 kHz

■ Tuner section

- Voltage input to the tuner +B: DC 5.7 V
VT: DC 12 V
Standard measuring output 26.1 mV (0.28 V)/3ohm
Input locations AM: standard loop antenna
FM: TP1 (hot) and TP2 (GND)

■ Standard settings for measuring volume

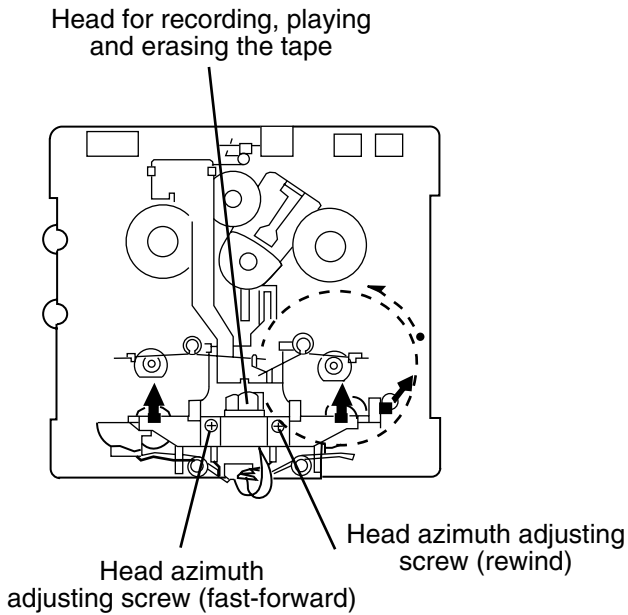
- Sound OFF
Effective hyper bass OFF
Volume adjustment VOL. 23

Precautions for measuring

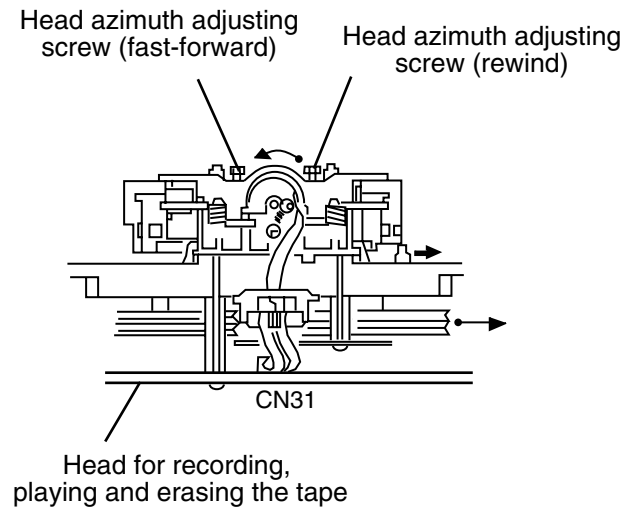
1. Input 30 pF and 33 kohm to the IF sweeper output and 0.082 μ F and 100 kohm to the sweeper input, respectively.
2. Lower the output level of the IF sweeper as much as possible in the adjustable range.
3. The IF sweeper needs no adjustment as it is a fixed component.
4. It is not necessary to perform any kind of adjustment on the MPX, as a ceramic oscillator is used for measuring.
5. FM tracking adjustment is not necessary as a fixed coil is used.
6. The grounding circuit is separate from the input and output. Therefore, be sure to connect to ground carefully when measuring both the input and output voltages simultaneously using 2 channels of the electronic voltmeter.
7. The speaker's minus terminal cannot be connected to ground when using a BTL format amplifier. Therefore, do not connect any type of ground wire to this terminal. The OTL format is used with this system.
8. Use a large wire to connect to the dummy impedance generator when measuring the output.
9. Be sure to use a band pass filter (DV-12) when using mixed tape.

Location of parts to be adjusted

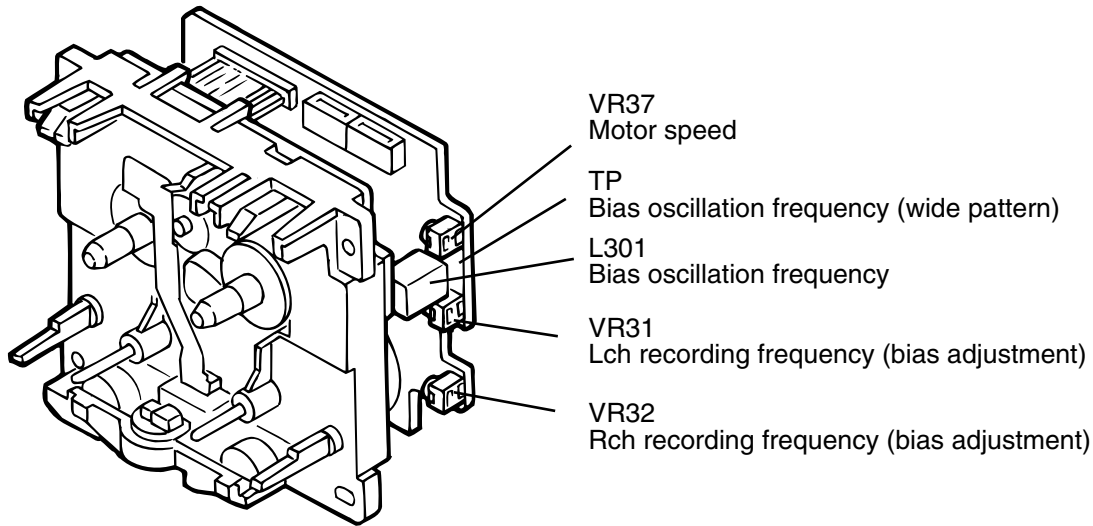
■ **Cassette handling mechanism**



■ **Cassette handling mechanism (reverse side)**



■ **Location of parts to be adjusted**



■ Adjustment of cassette handling mechanism

Items	Condition	Method for adjustment and confirmation	Standard value	Parts to be adjusted
Confirmation of head angle	Test tape: VT-703 (10 kHz) Measuring output terminal: Speaker terminal, speaker (R) (Load resistance: 4ohm), headphone terminal	(1) Play back the VT-703 test tape. (2) Adjust the head azimuth screws so that the tape playback mechanism records the maximum output level in both the fast-forward and rewind direction. (3) In all cases, both the fast-forward and rewind direction should be adjusted using head azimuth screws.	Maximum output	Adjust the head azimuth screws when changing the head.
Confirmation of tape speed	Test tape: VT-712 (3 kHz) Measuring output terminal: Headphone terminal	Adjust VR37 so that the frequency counter records 3,015 Hz \pm 15 Hz when playing back the end of the VT-712 test tape (3 kHz) in the fast-forward direction.	Tape speed of cassette deck: 3,015 Hz \pm 15 Hz	VR37

■ Items to be confirmed and standard values

Items	Condition	Method for adjustment and confirmation	Standard value	Parts to be adjusted
Difference in speed between fast-forward and rewind	Test tape: VT-712 (3 kHz) Measuring output terminal: Speaker terminal, speaker (R) (Load resistance: 4), headphone terminal	The difference between fast-forward and rewind should be less than 60 Hz on the frequency counter when playing back the beginning of the VT-712 test tape (3 kHz) in both directions.	Less than 60 Hz	Should be confirmed when changing the motor.
Wow and flutter	Test tape: VT-712 (3 kHz) Measuring output terminal: Headphone terminal	Wow and flutter should be recorded at less than 0.25% (WRMS) when playing back the VT-712 test tape (3 kHz) in the fast-forward direction.	Less than 0.25% (WRMS)	

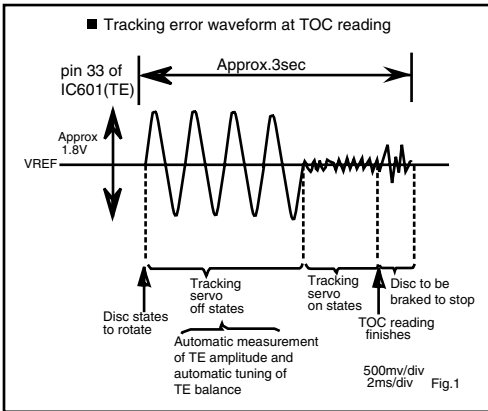
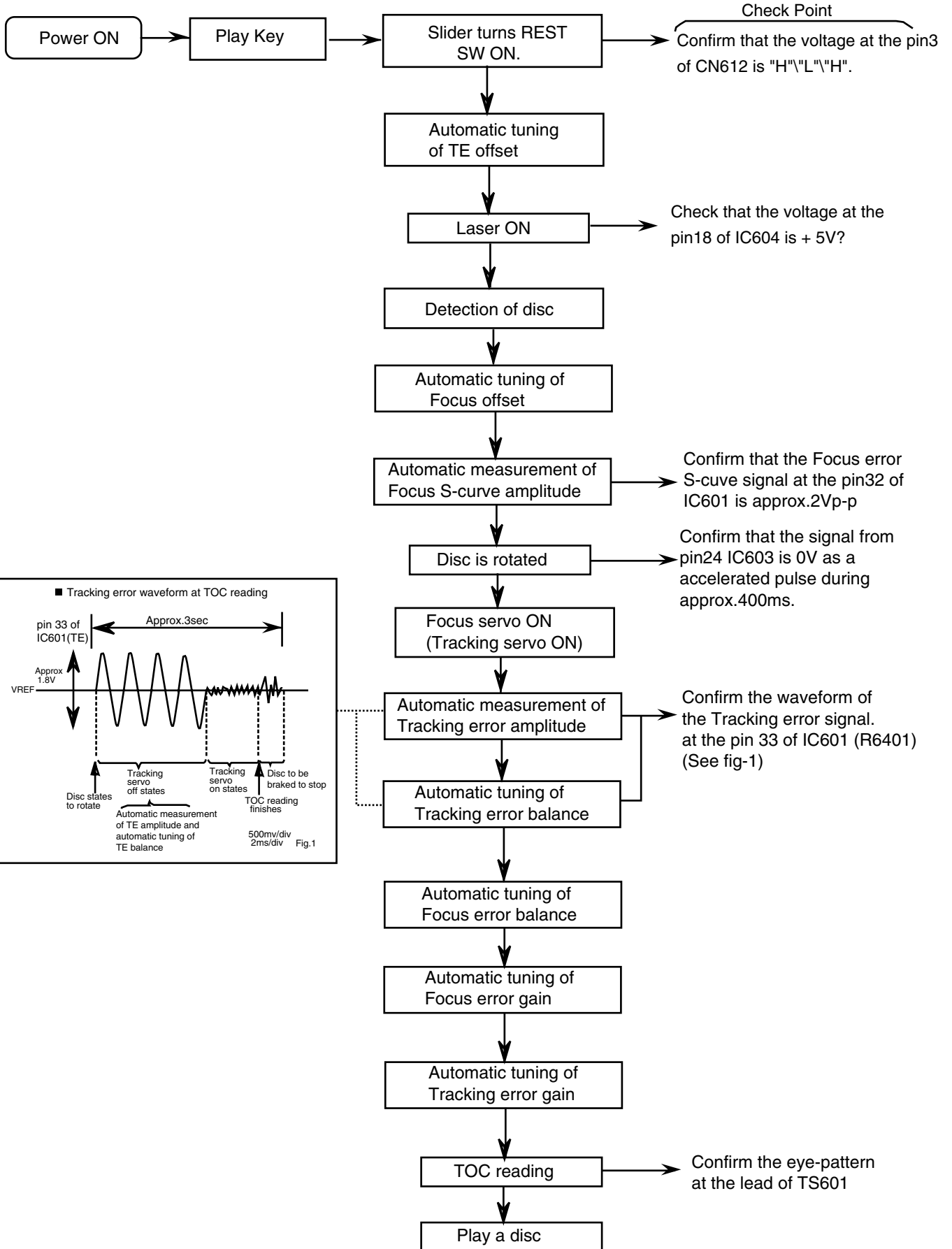
■ Electronic performance

Items	Condition	Method for adjustment and confirmation	Standard value	Parts to be adjusted
Confirmation of output	Measuring output terminal: CN34-5 or 7-terminal preamp base Test tape: VT-724	Confirm that the output from the CN34-5 or 7-terminal preamp base connector is -25 dBs \pm 3 dB when playing back the VT-724 test tape. Reference value: The output from the headphone terminal is -7 dB \pm 4 dB.	Output of CN34-5 terminal: -25 dBs \pm 3 dB Difference between Lch and Rch: within 3 dB	
Confirmation of reproduction of frequency characteristics	Measuring output terminal: Headphone terminal Test tape: VT-739	Confirm that the 10 kHz reproduction level is -1 dB \pm 5 dB compared to the 1 kHz reproduction level when playing back the VT-739 test tape.	Difference between 10 kHz and 1 kHz should be -1 dB \pm 5 dB.	
Recording bias frequency	Fast-forward or rewind direction: Test tape: TYPE II (AC-514) Measuring terminal: Bias TP on the base	Switch the bias (beat cut switch) between 1 and 2 to confirm that the frequency changes. Load the test tape (AC-514 for TYPE II) into the mechanism and preset it to the record-pause mode. Confirm that the bias TP frequency on the base is 100 kHz \pm 6kHz.	100 kHz \pm 6 kHz	

■ Standard values for confirmation of electronic performance

Items	Condition	Method for adjustment and confirmation	Standard value	Parts to be adjusted
Erasing current (standard and reference value)	Fast-forward and rewind direction: <ul style="list-style-type: none"> • Recording mode • AC-514 for TYPE II, AC-225 for TYPE I Measuring terminal: Both erase head terminals	Load the test tape (AC-514 for TYPE II, AC-225 for TYPE I) into the tape playback mechanism and preset it to the record-pause mode. After setting it to the recording mode, send 1 M in series to the erase head and measure the erasing current from both erase head terminals.	TYPE II: 110 mA TYPE I: 75 mA	
Adjustment of reproduction of frequency characteristics	Standard frequencies: 1 kHz and 10 kHz (REF: -20 dB) Test tape: TYPE II: AC-514 Measuring input terminal: OSC IN	Load the test tape (AC-514 for TYPE II, AC-225 for TYPE I) into the tape playback mechanism and preset it to the record-pause mode. Input the standard value of -20 dB and the standard frequencies of 1 kHz and 10 kHz repeatedly to the microphone input from the transmitter in the recording mode. Adjust VR31 for Lch and VR32 for Rch so that the difference in level between 10kHz and 1 kHz is $-1\text{dB} \pm 5\text{dB}$. Repeat the above for TYPE I and confirm that the difference in level is $-X\text{dB} \pm \text{dB}$.	Difference in output between 1 kHz and 10 kHz: $-1\text{dB} \pm 5\text{dB}$	Lch: VR31 Rch: VR32

Flow of functional operation until TOC read



Maintenance of laser pickup

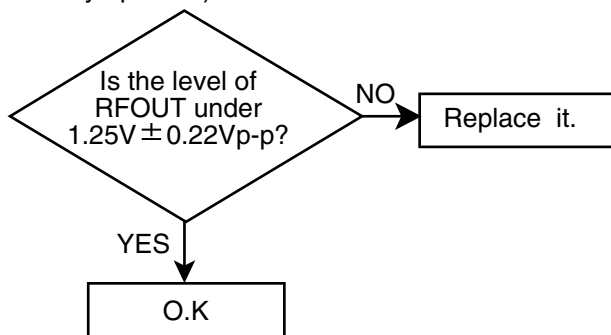
(1) Cleaning the pick up lens

Before you replace the pick up, please try to clean the lens with a alcohol soaked cotton swab.

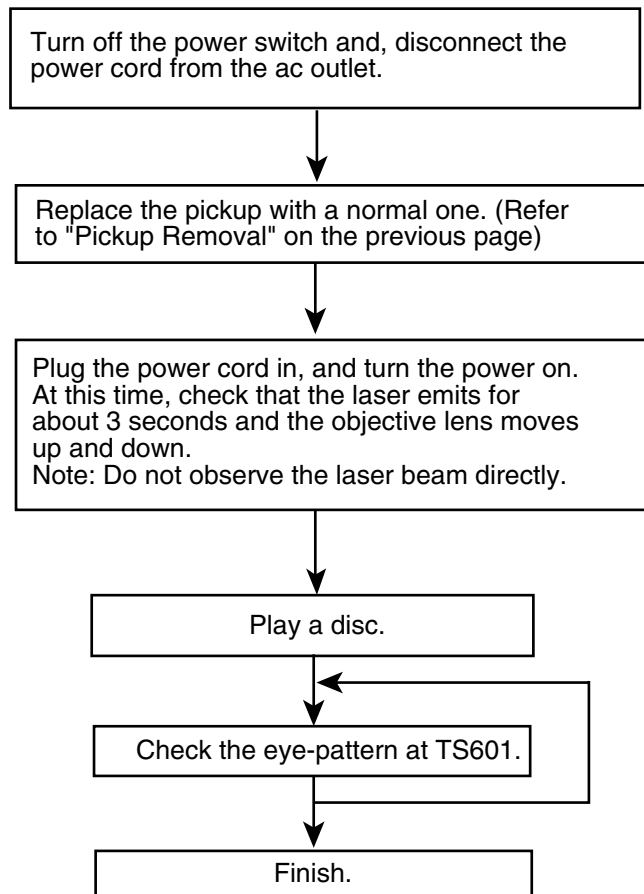
(2) Life of the laser diode

When the life of the laser diode has expired, the following symptoms will appear.

1. The level of RF output (EFM output : amplitude of eye pattern) will below.



Replacement of laser pickup



(3) Semi-fixed resistor on the APC PC board

The semi-fixed resistor on the APC printed circuit board which is attached to the pickup is used to adjust the laser power. Since this adjustment should be performed to match the characteristics of the whole optical block, do not touch the semi-fixed resistor.

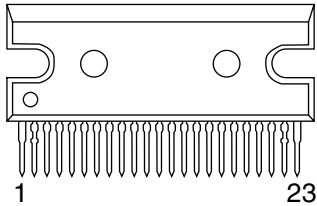
If the laser power is lower than the specified value, the laser diode is almost worn out, and the laser pickup should be replaced.

If the semi-fixed resistor is adjusted while the pickup is functioning normally, the laser pickup may be damaged due to excessive current.

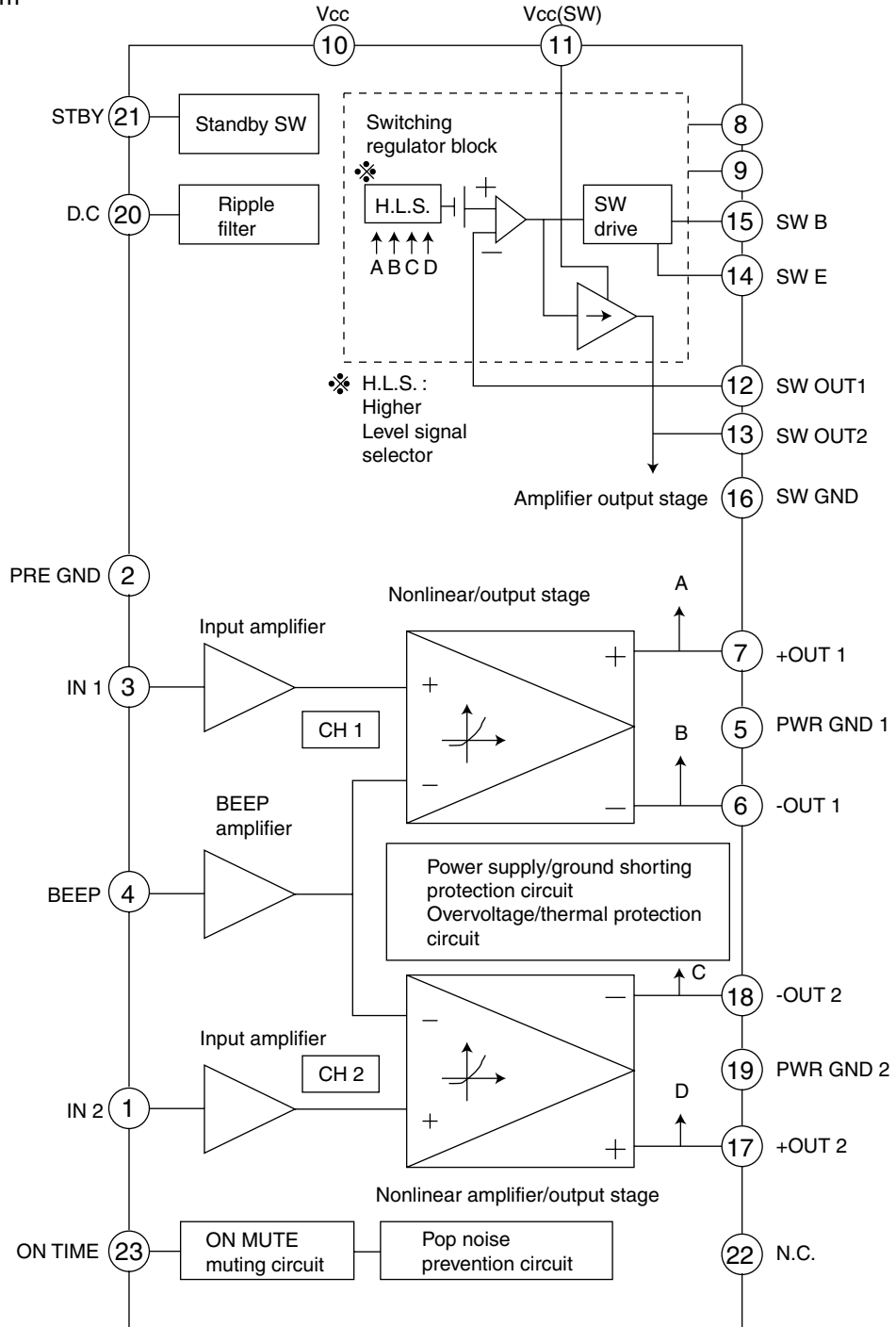
Description of major ICs

■ LA4905 (IC101) : Power amp IC

1. Terminal layout

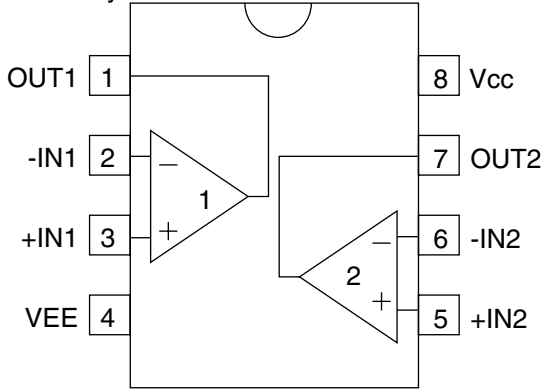


2. Block diagram

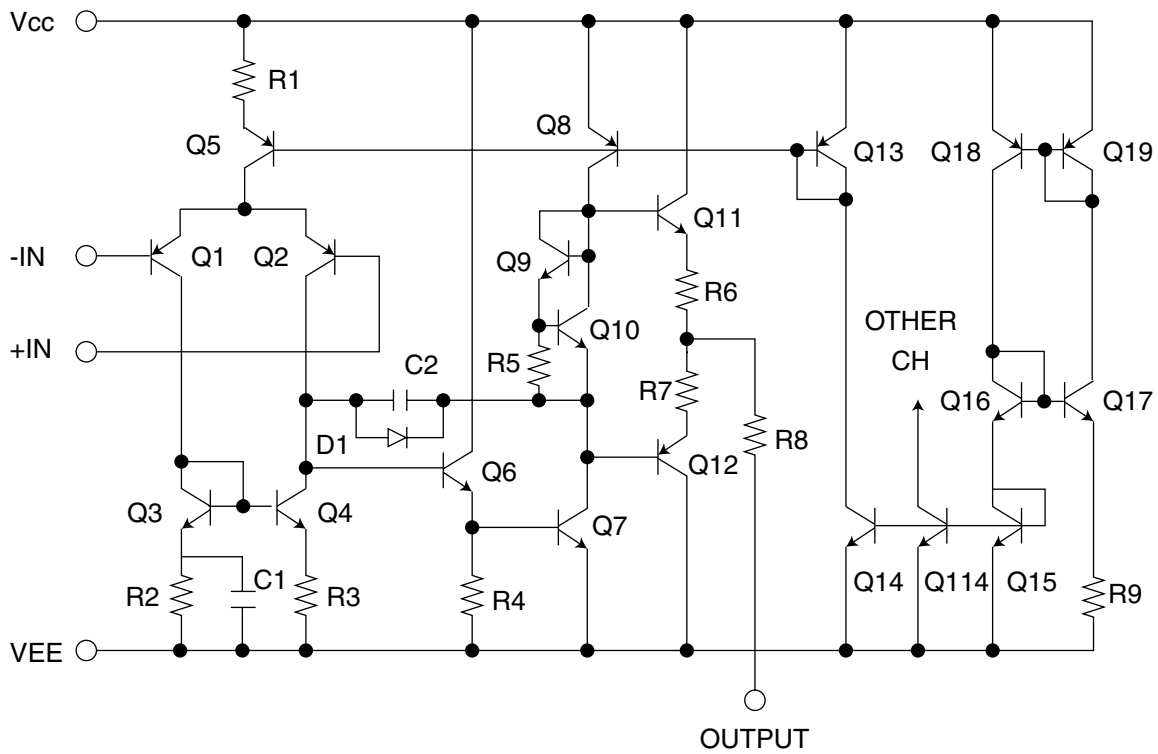


■ **BA15218F-XE (IC201, IC701) : Dual operation amplifier**

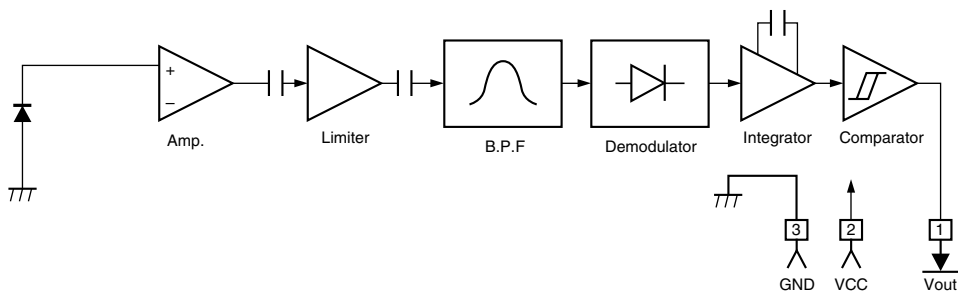
1. Terminal layout



2. Block diagram

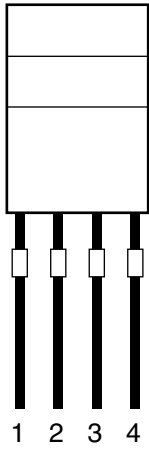


■ **GP1U281X (IC801, IC802) : Receiver for remote controller**

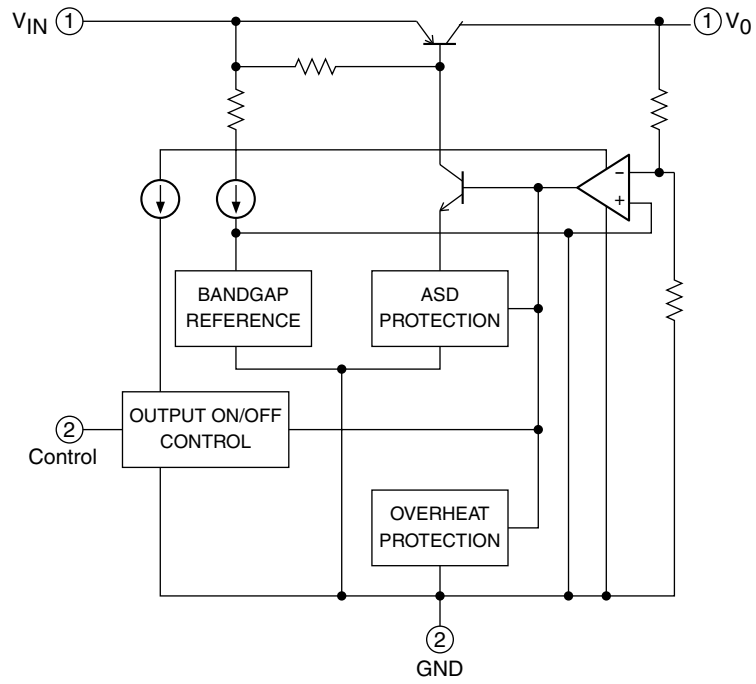


KIA78R06PI(IC381) US 6V

1. Terminal layout

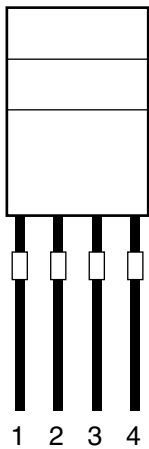


2. Block diagram

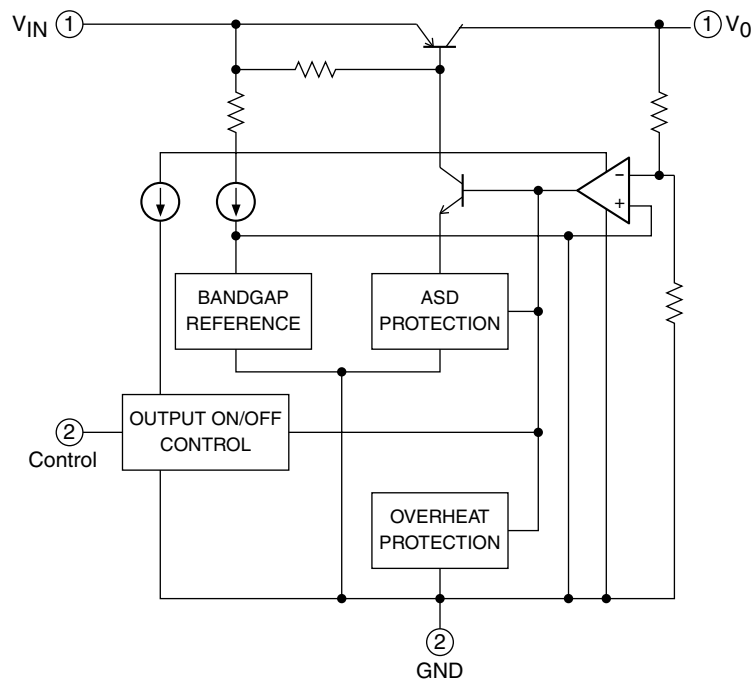


KIA78R08PI(IC301) SW 8V REGULATOR

1. Terminal layout



2. Block diagram

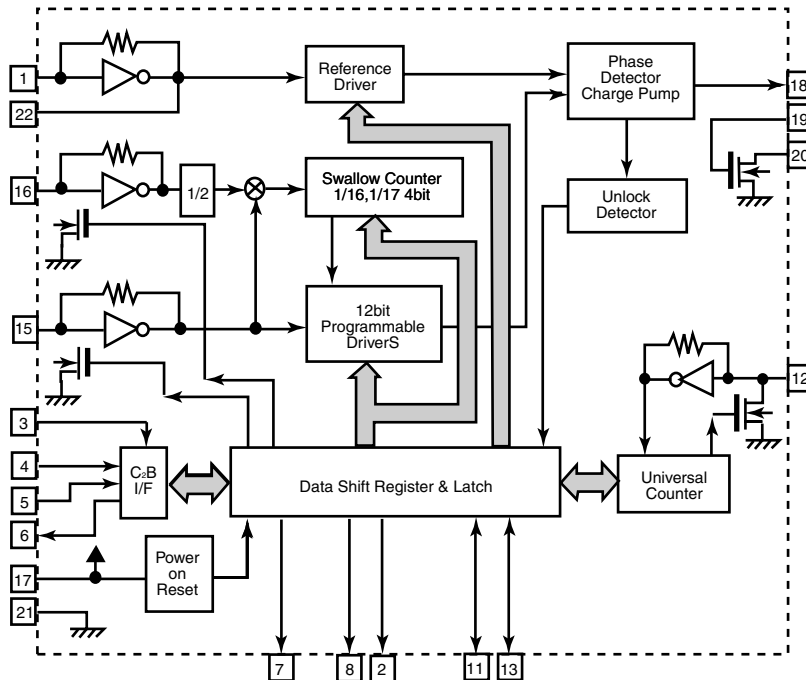


■ LC72136N (IC2) : PLL frequency synthesizer

1. Terminal layout

XT	1	22	XT
FM/AM	2	21	GND
CE	3	20	LPFOUT
DI	4	19	LPFIN
CLOCK	5	18	PD
DO	6	17	VCC
FM/ST/VCO	7	16	FMIN
AM/FM	8	15	AMIN
	9	14	
SDIN	10	13	IFCONT
	11	12	IFIN

2. Block diagram

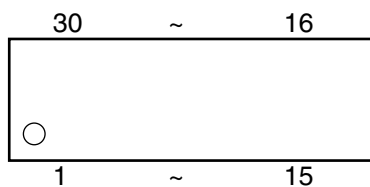


3. Pin function

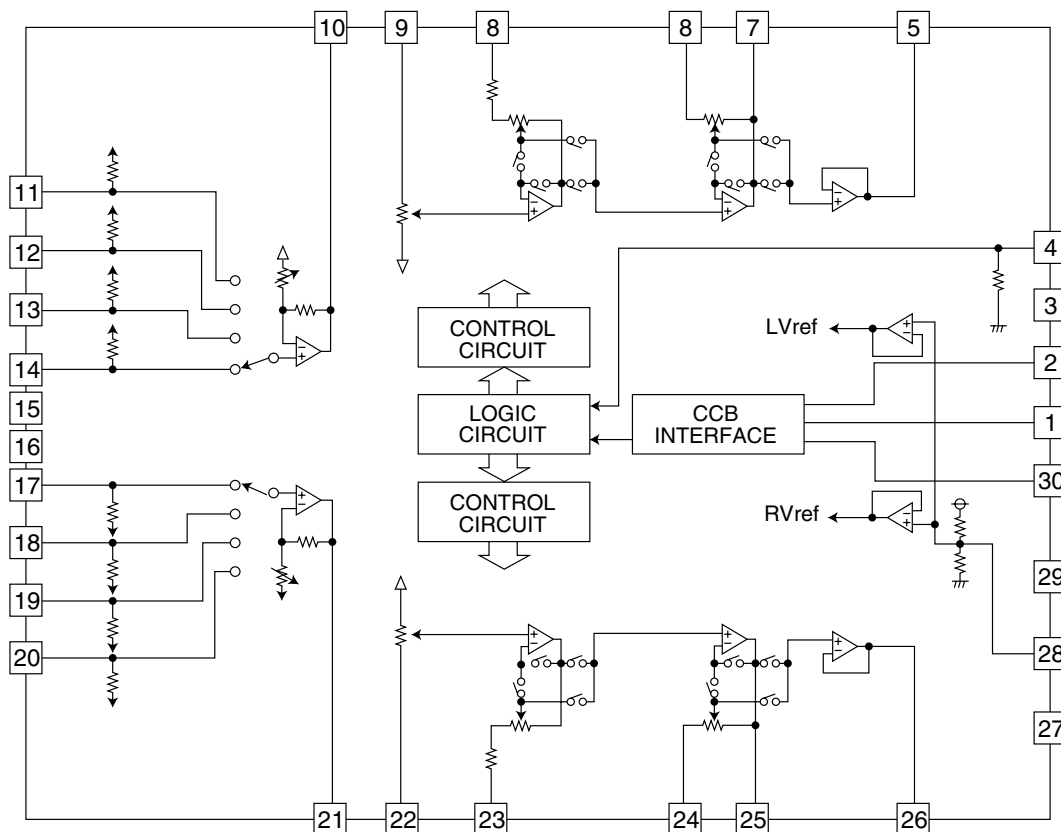
Pin No.	Symbol	I/O	Function	Pin No.	Symbol	I/O	Function
1	XT	I	X'tal oscillator connect (75kHz)	12	IFIN	I	IF counter signal input
2	FM/AM	O	LOW:FM mode	13	IFCONT	O	IF signal output
3	CE	I	When data output/input for 4pin(input) and 6pin(output): H	14		-	Not use
4	DI	I	Input for receive the serial data from controller	15	AMIN	I	AM Local OSC signal output
5	CLOCK	I	Sync signal input use	16	FMIN	I	FM Local OSC signal input
6	DO	O	Data output for Controller Output port	17	VCC	-	Power supply(VDD=4.5-5.5V) When power ON:Reset circuit move
7	FM/ST/VCO	O	"Low": MW mode	18	PD	O	PLL charge pump output(H: Local OSC frequency Height than Reference frequency. L: Low Agreement: Height impedance)
8	AM/FM	O	Open state after the power on reset	19	LPFIN	I	Input for active lowpassfilter of PLL
9	LW	I/O	Input/output port	20	LPFOUT	O	Output for active lowpassfilter of PLL
10	MW	I/O	Input/output port	21	GND	-	Connected to GND
11	SDIN	I/O	Data input/output	22	XT	I	X'tal oscillator(75KHz)

■ LC75342 (IC501) : E. volume

1. Terminal layout



2. Block diagram



3. Pin function

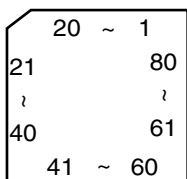
Pin No.	Symbol	Function	Pin No.	Symbol	Function
1	DI	Serial data and clock input for IC control	17	R1	Input signal connections
2	CE	Chip enable	18	R2	Input signal connections
3	VSS	GND	19	R3	Input signal connections
4	TEST	Electric volume connection for test	20	R4	Input signal connections
5	LOUT	Volume control and equalizer input	21	RSELO	Input selector output
6	LBASS2	Connection for resistor and capacitor that from the bass band filter	22	RIN	Volume control and equalizer input
7	LBASS1	Connection for resistor and capacitor that from the bass band filter	23	RTRE	Connection for capacitor that from the treble band filter
8	LTRE	Connection for capacitor that from the treble band filter	24	RBASS1	Connection for resistor and capacitor that from the bass band filter
9	LIN	Volume control and equalizer input	25	RBASS2	Connection for resistor and capacitor that from the bass band filter
10	LSELO	Input selector output	26	ROUT	Volume control and equalizer input
11	L4	Input signal connections	27	NC	Not used
12	L3	Input signal connections	28	Vref	Connection to the 0.5X VDD voltage generator circuit used as the analog signal ground
13	L2	Input signal connections	29	VDD	Power supply
14	L1	Input signal connections	30	CL	Serial data and clock input for IC control
15	NC	Not used			
16	NC	Not used			

■ MN101C38CHX (IC901) : System controller

Pin No.	Symbol	I/O	Function
1~4	COM 3~0	O	FL grid control signal output
5~7	VLC 3~1	I	
8	VDD	-	Power supply +5V
9,10	OSC2,1	I/O	Oscillation terminal (8MHz)
11	VSS	-	Connect to GND
12,13	XI,XO	I/O	Sub clock (32.768kHz)
14	MMOD	-	Connect to GND
15	VREF-	I	Reference voltage (-)
16	VER	I	Version select
17	REGSAFETY	I	Regulator safety detect
18	CD5 SAFETY	I	Regulator safety detect CD5
19	CD3 SAFETY	I	Regulator safety detect CD3
20	TAPE0	I	Tape input
21	KEY1	I	Key input 1
22	GND	-	Non connect
23	MPX	I	Stereo detect
24	VREF+	I	Power supply +5V
25	SO	I	Serial data output
26	SI	I	Serial data input
27	SCK	I	Serial bus clock
28	SCMD	I	Serial data bus
29	SSTAT	I	Status bus
30	SCLK	I	Shift clock input
31	PERIDO	O	Chip enable signal output
32	RST	I	Reset input
33	BEAT	I	Beat cut sw
34	SRST	I	Reset signal for CD
35	VCE	I	Chip enable for VOL. IC
36	VDATA	I	Volume data for VOL. IC
37	VCLK	O	Volume clock for VOL. IC
38	REM	I	Remocon signal input
39	BUP	I	Buck-up detect
40	PIN	O	Power key input
41	DC/BATT	I	DC/Battery select input
42	HP JACK	I	HP jack select input
43	SMUTE	O	System mute output
44	BCTL	O	Back-up power supply control output
45	POUT	O	Power on control output
46	LLED	-	Non connect
47	STBLED	O	Stand by LED control output
48	LCLED	O	Back light LED control output
49	PLAY	I	Cassette play sw detection input
50	REEL	I	Cassette reel palus detection input
51	LATCH	O	Serial data latch output
52	DOOR	I	Door open / close detection input
53	READY	I	Serial data ready input
54	MIC JACK	I	Mic jack in out detection
55	A HB 1	O	Active Hyper Bass select output signal 1
56	A HB 2	O	Active Hyper Bass select output signal 2
57	PSWOFF	I	Power sw off detection
58~60		-	Non connect
61	F. CD	O	Function for CD
62	F. TU	O	Function for tuner
63	F. AUX	-	Non connect
64	PBMUTE	O	Playback mute
65~74	GND	-	Connect to GND
75~79		-	Non connect
80~100	SEG0~20	O	FL segment signal output

■ MN35530 (IC601) : Digital servo & processor

1. Terminal layout

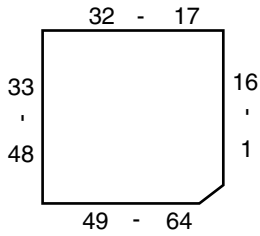


2. Pin function

Pin No.	Symbol	I/O	Function	Pin No.	Symbol	I/O	Function
1	DVD3V	-	Power supply	41	ADPVCC	I	Vcc for A/D input
2	D0	I	Data input	42	DSLFL	I/O	Loop filter pin for DSL
3	D1	I	Data input	43	DRF	I	Bias pin for DSL input
4	NWE	I/O	Write enable	44	PLLF	I/O	Loop filter pin for DSL
5	NRAS	I/O	Low address strove	45	VCOF	I	Vcc OFF input
6	D2	I	Data input	46	AVDD2	-	Power supply
7	D3	I	Data input	47	AVSS2	-	Connect to GND
8	NCAS0	I/O	Column address strove 0	48	OUTL	O	Lch audio output
9	NCAS1	I/O	Column address strove 1	49	AVSS2	-	Connect to GND
10	A8	O	Adress output	50	OUTR	O	Rch audio output
11	A7	O	Adress output	51	AVDD1	-	Power supply
12	A6	O	Adress output	52	FSEL	I	FS selection input
13	A5	O	Adress output	53	TMOD1	-	Connect to GND
14	A4	O	Adress output	54	TMOD2	-	Connect to GND
15	A9	O	Adress output	55	FLAG	O	Flag output signal
16	A0	O	Adress output	56	CVS	-	Non connect
17	A1	O	Adress output	57	EXT0	-	NC
18	A2	O	Adress output	58	EXT1	-	NC
19	A3	O	Adress output	59	EXT2	-	NC
20	DVSS2	-	Connect to GND	60	TX	O	Digital audio interface output
21	DVDD2	-	Power supply	61	MCLK	I	Micon command clock signal input
22	SPOUT	O	Spindle control output	62	MDATA	I	Micon command data input
23	TRVF	O	Traverse control output (F)	63	MLD	I	Micon command load signal input
24	TRVR	O	Traverse control output (R)	64	BLKCK	O	Sub-code block clock signal output
25	TRF	O	Tracking control output (F)	65	SQCK	O	Outside clock for sub-code Q resistor input
26	TRR	O	Tracking control output (R)	66	SUBQ	O	Sub-code Q-code output
27	FOF	O	Focus control output (F)	67	DMUTE	O	Digital mute
28	FOR	O	Focus control output (R)	68	STAT	I	Stetus signal input
29	FBAL	O	Focus balance adjust output	69	NRST	I	Reset input
30	TBAL	O	Trarcking balance adjust output	70	PC	I	Power control input
31	CSEL	I	Chip select input	71	PMCK	-	Non connect
32	FE	I	Focus error signal input (Analog input)	72	SMCK	I	Serial Master clock input
33	TE	I	Tracking error signal input (Analog input)	73	SUBC	-	Non connect
34	RF ENV	I	RF envelope signal input (Analog input)	74	SUCK	I	Clock input for sub code/serial output
35	OFT	I	Off track signal input (H:off track)	75	NCLDCK	-	NC
36	NRFDET	I	RF signal input	76	NTEST	-	NC
37	BDD	I	BDO input pin (L:detect)	77	X1	I	Input of 33.8688MHz x'tal oscillation circuit
38	LDON	I	Laser ON signal output (H:on)	78	X2	O	Out of x'tal oscillation circuit
39	ARF	I	RF signal input	79	DVDD1	-	Power supply
40	IREF	I	Reference current input	80	DVSS1	-	Connect to GND

■ MN101C30AHY (IC602) : CD micon

1. Terminal layout



2. Pin function

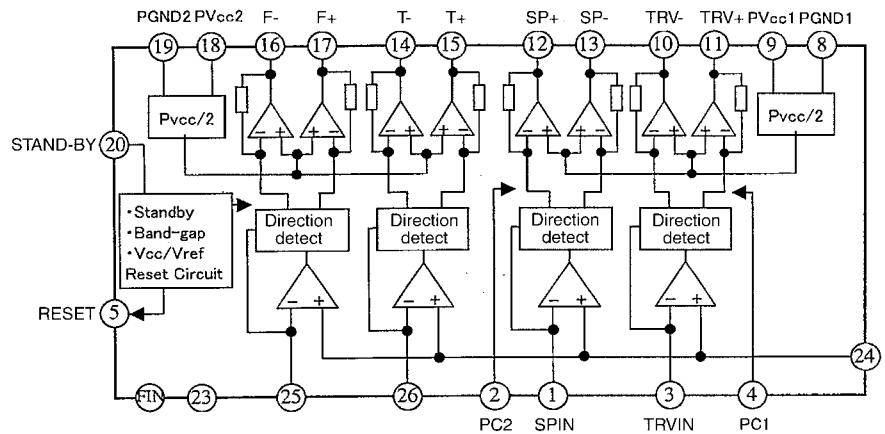
Pin No.	Symbol	I/O	Function	Pin No.	Symbol	I/O	Function
1	PA3	-	Connect to GND	33	DOOR	I	Door open/close sw detection input
2	PA4	-	Connect to GND	34	O MUTE	O	Muting output
3	PA5	-	Connect to GND	35	DMUTE	O	Digital mute output
4	PA6	-	Connect to GND	36	PDOWN	I	Power off detect input
5	PA7	-	Connect to GND	37	AMUTE	-	Connect to GND
6	VREF+	-	Reference Voltage	38	P61	-	Connect to GND
7	VDD	-	Power supply	39	P62	-	Connect to GND
8	OSC2	O	X'tal OSC output terminal	40	P63	-	Connect to GND
9	OSC1	I	X'tal OSC input terminal	41	P64	-	Connect to GND
10	VSS	-	Connect to GND	42	P65	-	Connect to GND
11	X1	I	Connect to GND	43	P66	-	Connect to GND
12	X0	O	Non connect	44	P67	-	Connect to GND
13	MMOD	I	Connect to GND	45	P70	-	Connect to GND
14	SBOO	-	NC	46	P71	-	Connect to GND
15	SUBQ	I	Sub-code Q-code output	47	P72	-	Connect to GND
16	SQCK	O	Outside clock for sub-code Q resitor input	48	P73	-	Connect to GND
17	SSTAT	O	Status signal output	49	P74	-	Connect to GND
18	SCMD	I/O	Sireal data	50	P75	-	Connect to GND
19	SCLK	I	Shift clock input	51	P76	-	Connect to GND
20	SREADY	O	Start signal output	52	P77	-	Connect to GND
21	RST	I	Reset signal input	53	P87	-	Connect to GND
22	M-DATA	I	Micon command data signal input	54	P86	-	Connect to GND
23	MLD	I	Micon command load signal input	55	P85	-	Connect to GND
24	MCLK	I	Micon command clock signal input	56	P84	-	Connect to GND
25	STAT	O	Status signal output	57	P83	-	Connect to GND
26	XRST	O	Reset output	58	P82	-	Connect to GND
27	BLKCK	I	Feed Kick control output	59	P81	-	Connect to GND
28	P21	-	Eanable signal	60	ESPCHG	-	Connect to GND
29	P22	-	Connect to GND	61	VREF-	-	Connect to GND
30	P23	-	Connect to GND	62	KEY0	-	Connect to GND
31	P24	-	Connect to GND	63	KEY1	-	Connect to GND
32	REST	I	Rest sw input	64	PA2	-	Connect to GND

■ AN4801SB-W (IC603) : BTL DRIVER

1. Terminal layout

SPIN	1	28	FIN2
PC2	2	27	FIN1
TRVIN	3	26	TRIN
PC1	4	25	FOIN
RESET	5	24	VREF
NC	6	23	SVCC
NC	7	22	NC
PGND1	8	21	NC
PVCC1	9	20	STBY
TRV-	10	19	PGND2
TRV+	11	18	PVCC2
SP+	12	17	F+
SP-	13	16	F-
T-	14	15	T+

2. Block diagram



3. Pin function

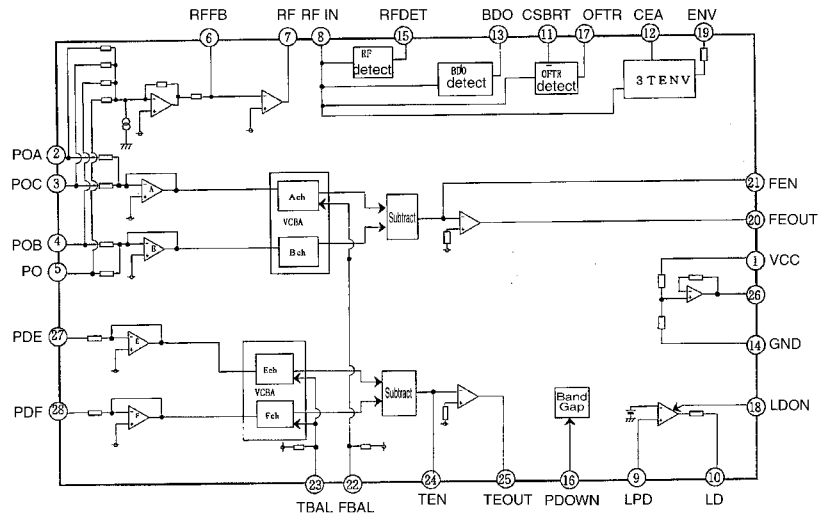
Pin No.	Symbol	I/O	Function	Pin No.	Symbol	I/O	Function
1	SPIN	I	Spindle servo control input	15	T+	O	Tracking servo signal output(+)
2	PC2	I	Power control	16	F-	O	Focus servo signal output(-)
3	TRVIN	I	Traverse signal input	17	F+	O	Focus servo signal output(+)
4	PC1	I	Power control	18	PVCC2	-	Power supply
5	RESET	I	Reset signal input	19	PGND2	-	Connect to GND
6	NC	-	Non connect	20	STBY	I	Stand-by input
7	NC	-	Non connect	21	NC	-	Non connect
8	PGND1	-	Connect to GND	22	NC	-	Non connect
9	PVCC1	-	Power supply	23	SVCC	I	Reference voltage input
10	TRV-	-	Traverse drive output(-)	24	VREF	I	Voltage reference input
11	TRV+	O	Traverse drive output(+)	25	FOIN	I	Focus coil driver
12	SP+	O	Spindle servo drive output(-)	26	TRIN	I	Tracking coil driver input
13	SP-	O	Spindle servo drive output(-)	27	FIN1	-	GND
14	T-	O	Tracking servo signal output(-)	28	FIN2	-	GND

AN8838SB(IC604) : RF & Servo AMP

1. Terminal layout

2. Block diagram

VCC	1	28	PDF
POA	2	27	PDE
POC	3	26	VREF
POB	4	25	TEOUT
POD	5	24	TEN
RFFB	6	23	TBAL
RF	7	22	FBAL
RF IN	8	21	FEN
LPD	9	20	FEOUT
LD	10	19	ENV
CSBRT	11	18	LDON
CEA	12	17	OFTR
BDO	13	16	PDOWN
GND	14	15	RFDET

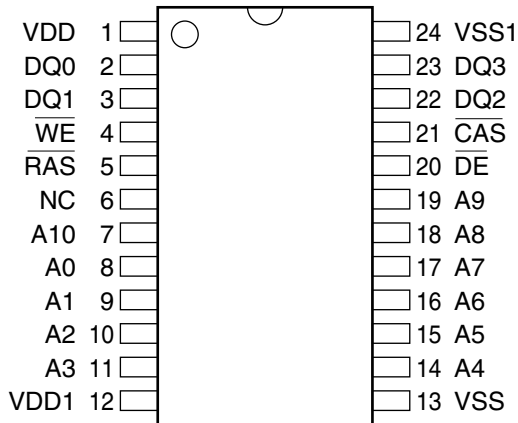


3. Pin function

Pin No.	Symbol	I/O	Descriptions
1	VCC	-	Power supply
2	POA	I	Focus signal input A
3	POC	I	Focus signal input C
4	POB	I	Focus signal input B
5	POD	I	Focus signal input D
6	RFFB	I	RFamp input
7	RF	O	RFamp output
8	RF IN	I	RF input
9	LPD	I	APC amp input terminal
10	LD	O	APC amp output terminal
11	CSBRT	I	OFF Track External terminal
12	CEA	I/O	A capacitor is connected to this terminal detect the envelope of RF signal
13	BDO	O	BDO output
14	GND	-	Connect to GND
15	RFDET	I	RF detect signal input
16	PDOWN	I	Power down input
17	OFTR	O	OFF Track output
18	LDON	I	APC ON/OFF control terminal
19	ENV	O	Envelope output
20	FEOUT	O	Output pin of focus error
21	FEN	I	Focus error amp output
22	FBAL	I	Focus balance control
23	TBAL	I	Tracking balance control
24	TEN	O	Tracking error output
25	TEOUT	O	Tracking error signal output
26	VREF	O	Reference voltage output
27	PDE	I	I-V amp input
28	PDF	I	I-V amp input

■ M11L1644SA-50T (IC605) : D RAM

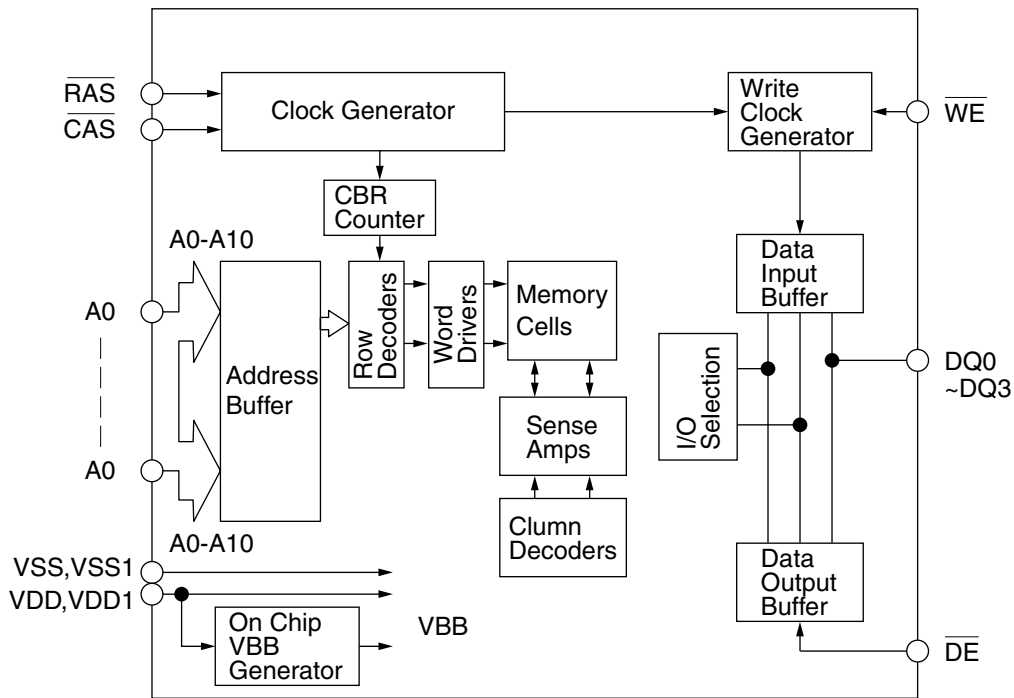
1. Terminal layout



2. Pin Function

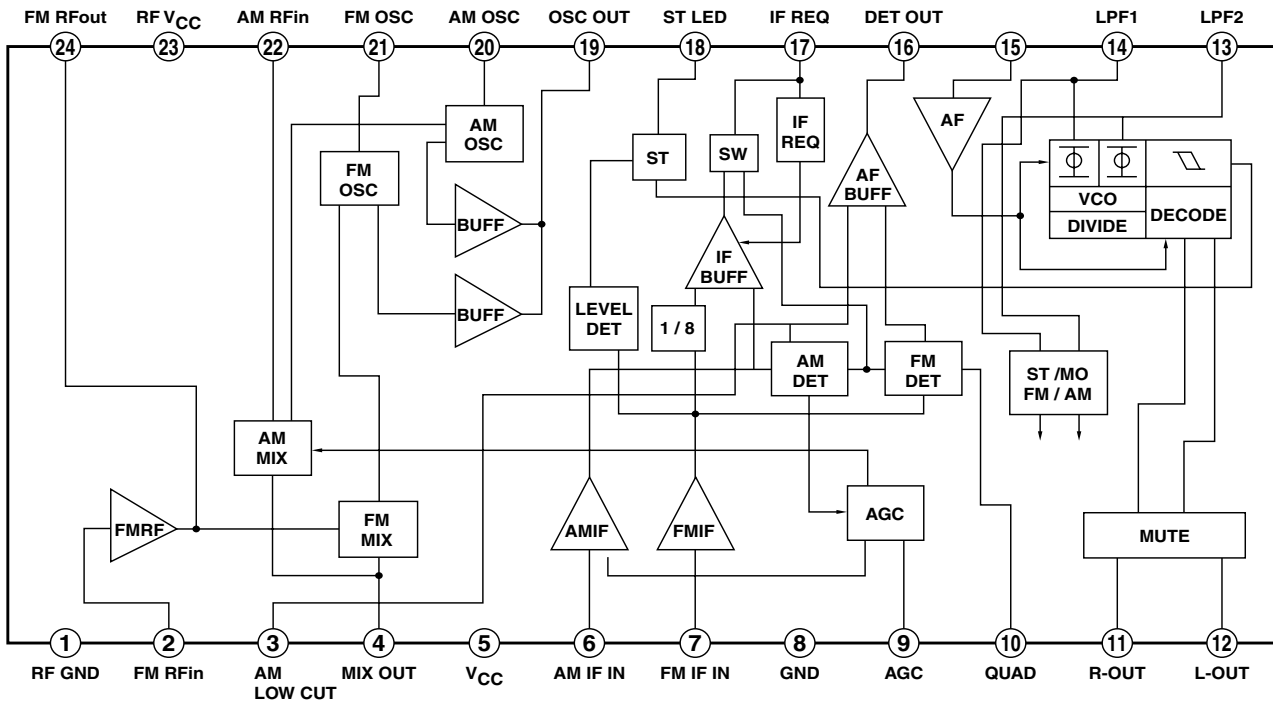
Symbol	Function
A0-A10	Address Input
RAS	Low Address strove
CAS	Column Address Strove
WE	Write enable Input
DE	Output Enable Input
DQ0-DQ3	Data in/out
VCC, VCC1	Power Supply (+3.3V)
VSS, VSS1	Power Supply (0V)
NC	Non Connect

3. Block Diagram



■ TA2104AN(IC1) : RadioTuner

1. Terminal layout & Block diagram





VICTOR COMPANY OF JAPAN, LIMITED
AUDIO & COMMUNICATION BUSINESS DIVISION
PERSONAL & MOBILE NETWORK BUSINESS UNIT. 10-1,1Chome,Ohwatari-machi,Maebashi-city,371-8543,Japan

PARTS LIST

[RS-WP1WT]

* All printed circuit boards and its assemblies are not available as service parts.

Area suffix

J ----- U.S.A.

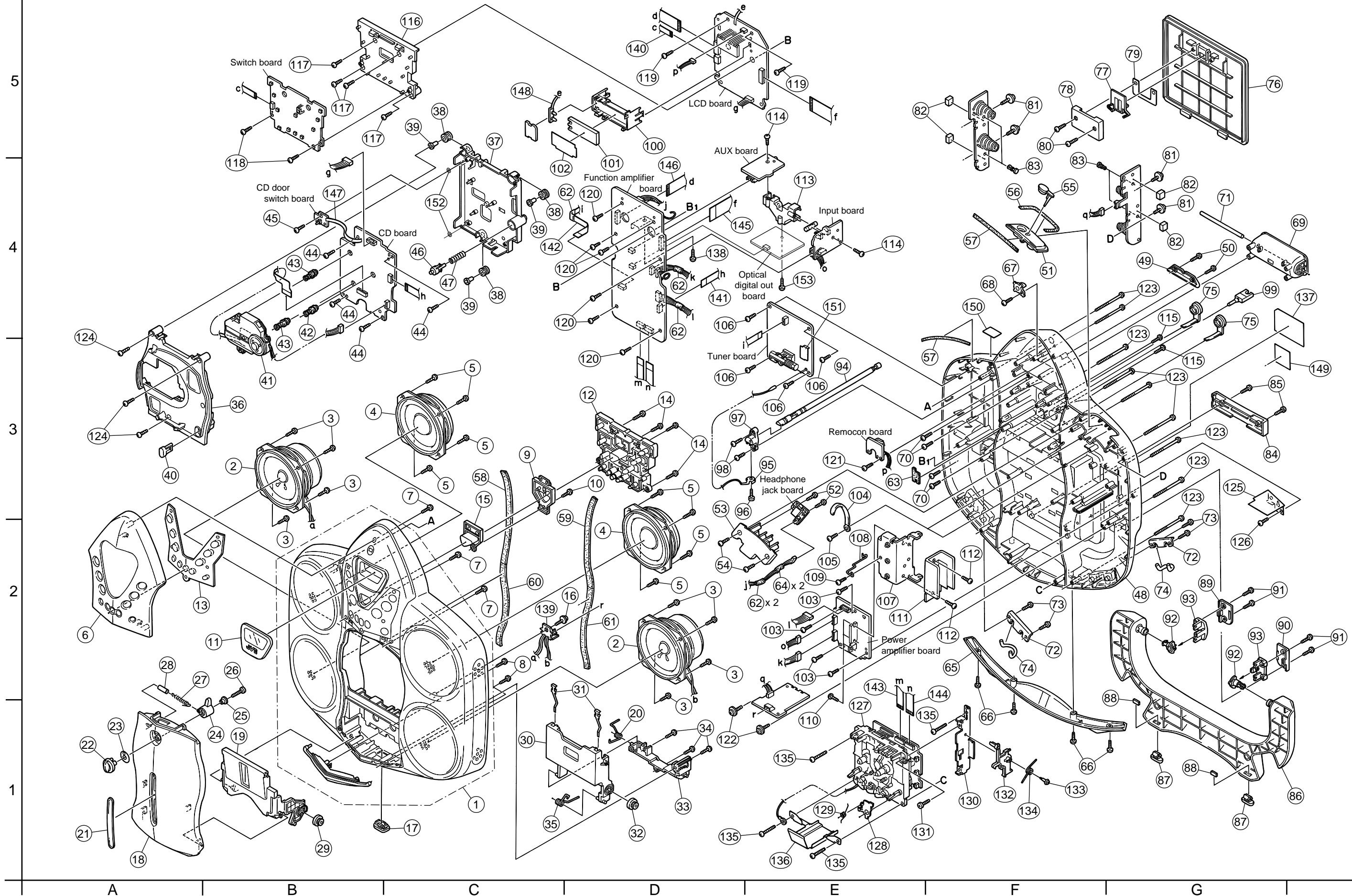
- Contents -

Exploded view of general assembly and parts list	3- 3
Cassette mechanism assembly and parts list	3- 7
Electrical parts list	3- 9
Packing materials and accessories parts list	3-19

< MEMO >

Exploded view of general assembly and parts list

Block No. **M 1 M M**



■ Parts list (General assembly)

Block No. M1MM

△	Item	Parts number	Parts name	Q'ty	Description	Area
	1	LV10484-002A	FRONT CABI ASSY	1		
	2	LE10010-010A	SPEAKER	2		
	3	QYSBSF3008M	SCREW	8	FOR SP(SC)	
	4	LE10010-015A	SPEAKER	2		
	5	QYSBSF3008M	SCREW	8	FOR SP(PA)	
	6	LV10486-001A	TOP COVER	1		
	7	QYSBSF3010Z	SCREW	3	FRONT+TOP COVER	
	8	QYSBSF3010Z	SCREW	2	FRONT+BTM.COVER	
	9	LV42182-002A	POWER LENS	1		
	10	QYSBSF3010Z	SCREW	1	FOR POWER LENS	
	11	LV32532-001A	LCD LENS	1		
	12	LV20967-001A	PUSH BUTTON(A)	1		
	13	LV20968-201A	BUTTON COVER(A)	1		
	14	QYSBSF3010Z	SCREW	4	FRONT+BTN(A)	
	15	LV32591-201A	BUTTON COVER(B)	1		
	16	QYSBSFG3010Z	TAP SCREW	1	FOR SPK.CONECTOR	
	17	LV42288-201A	RUBBER FOOT(F)	1		
	18	LV10487-001A	DOOR	1		
	19	LV21020-001A	DOOR HOLDER	1		
	20	LV42611-001A	SPRING	1		
	21	LV32533-001A	DOOR LENS	1		
	22	LV40718-001A	EJECT KNOB	1		
		LV40718-004A	EJECT KNOB	1	R.CHANGE	
	23	LV42566-001A	KNOB SHEET	1	-#3000	
		LV42566-002A	KNOB SHEET	1	#3001-	
	24	LV42502-001A	CAM	1		
	25	LV40720-002A	COLLAR (CASS)	1		
	26	QYSDSF2614Z	SCREW	1	EJECT KNOB	
	27	LV40749-002A	TENSION SPRING	1		
	28	QWTA42H-010	TUBE	1		
	29	VYH5601-001	GEAR	1		
	30	LV20975-001A	CASSETTE HOLDER	1		
	31	VKY4180-301	CASSETTE SPRING	2		
	32	VYH5601-001	GEAR	1		
	33	LV32534-001A	HOLDER(CASS)	1		
	34	QYSBSF3010Z	SCREW	3	FOR HOLDER(CASS)	
	35	LV42184-002A	DOOR SPRING	1		
	36	LV10488-001A	CD CASE	1	-#3000	
		LV10488-002A	CD CASE	1	#3001-	
	37	LV10489-002A	CD CHASSIS	1	#3001-	
		LV10489-001A	CD CHASSIS	1	-#3000	
	38	LV42501-202A	INSULATOR	3		
	39	LV42504-001A	COLLAR	3		
	40	LV32535-001A	EJECT BUTTON	1		
	41	KSM-900AAH	CD MECHA	1		
	42	LV42476-204A	INSULATOR	1	FOR CD MECHA	
	43	LV42476-202A	INSULATOR	2		
	44	QYSBSF3010Z	SCREW	4	CD CHASSIS+PWB1	

■ Parts list (General assembly)

Block No. M1MM

△	Item	Parts number	Parts name	Q'ty	Description	Area
	45	QYSBSF3010Z	SCREW	1	CD CHASSIS+SW PWB	
	46	LV42225-001A	DOOR EJECTOR	1		
	47	LV42287-002A	COMP.SPRING	1	FOR D.E	
	48	LV10490-001A	REAR CABINET	1		
	49	LV32702-001A	HANDLE	1		
	50	QYSBSF3010M	T.SCREW	2	FOR HANDLE	
	51	LV32703-002A	JACK ORNAMENT	1		
	52	QYSBSF3010Z	SCREW	2	FOR H.P PWB	
	53	LV32716-001A	CAP	1		
	54	QYSBSF3010Z	SCREW	2	FOR CAP	
	55	LV42535-001A	JACK CAP(C)	1		
	56	LV30064-086A	SPACER	1		
	57	LV30064-089A	SPACER	2		
	58	LV42211-001A	P.SHEET UP(L)	1	PEF	
	59	LV42212-001A	P.SHEET UP(R)	1	PEF	
	60	LV42213-002A	P.SHEET LOW(L)	1	PEF	
	61	LV42214-002A	P.SHEET LOW(R)	1	PEF	
	62	LV30064-084A	SPACER	5		
	63	LV42565-001A	PAD SHEET	1		
	64	LV30064-084A	SPACER	2		
	65	LV10491-001A	FOOT	1		
	66	QYSBSF3010M	T.SCREW	4	REAR+FOOT	
	67	LV42185-001A	REMOCON LENS	1		
	68	QYSBSF2608Z	T.SCREW	1	REAR+R.LENS	
	69	LV32536-001A	BELT HOLDER(A)	1		
	70	QYSBSF3010Z	SCREW	4	REAR+BELT HOLDER(A)	
	71	LV42406-001A	SHAFT	1		
	72	LV42473-002A	HOLDER BRACKET	2		
	73	QYSBSF3010M	T.SCREW	4	REAR+HOLDER BRACKET	
	74	LV42186-002A	SHAFT	2		
	75	LV42187-201A	JACK CAP(A)	2		
	76	LV10492-001A	BATTERY COVER	1		
	77	LV42189-001A	LOCK LEVER	1		
	78	LV42190-001A	LEVER HOLDER	1		
	79	LV42580-001A	SPACER	1		
	80	QYSBSF3010Z	SCREW	2	REAR+LEVER HOL.	
	81	E65923-003	TAPPING SCREW	4	FOR BATT PWB	
	82	LV30225-0B7A	SPACER	4		
	83	LV40245-001A	PLASTIC RIVET	4		
	84	LV32699-001A	HOLDER	1		
	85	QYSBSF3010M	T.SCREW	2	FOR HOLDER	
	86	LV10495-001A	STAND	1		
	87	LV42289-201A	RUBBER FOOT(R)	2		
	88	LV30064-090A	SPACER	2		
	89	LV42192-001A	STAND HOLDER(L)	1		
	90	LV42192-002A	STAND HOLDER(R)	1		
	91	QYSBSF3010M	T.SCREW	4	SOR STAND HOLDER	
	92	LV32700-001A	STAND LOCK	2		

Parts list (General assembly)

Block No. M1MM

△	Item	Parts number	Parts name	Q'ty	Description	Area
	93	LV32701-001A	STAND SUPPORT	2		
	94	FMJA3001-00A	ROD ANT ASS'Y	1		
	95	VYH5012-002	LUG TERMINAL	1		
	96	QYSDSP3008Z	SCREW	1		
	97	LV42244-001A	ANT.HOLDER	1		
	98	QYSBSF3010Z	SCREW	2	FOR ANT HOLDER	
	99	LV42379-201A	ANTENA HOLDER	1		
	100	LV32539-001A	LCD HOLDER	1		
	101	LV32540-001A	LENS	1		
	102	LV42193-001A	SHEET	1		
	103	QYSBSF3010Z	SCREW	4	FOR POWER PWB	
	104	VKZ4001-111S	WIRE CLAMP	2		
	105	QYSBSF3010Z	SCREW	2		
	106	QYSBSF3010Z	SCREW	4	FOR TU.PWB	
	107	LV32542-001A	HEAT SINK	1		
	108	LV42563-001A	WIRE	1		
	109	QYSBSFG3008Z	T.SCREW	1		
	110	QYSBSF3010Z	SCREW	3	FOR IC	
	111	LV32986-001A	HEAT SINK 2	1		
	112	QYSBSF3010Z	SCREW	2		
	113	LV32543-001A	JACK HOLDER	1		
	114	QYSBSF3010Z	SCREW	2		
	115	QYSBSF3010M	T.SCREW	2	FOR JACK HOLDER	
	116	LV20977-001A	PWB HOLDER	1		
	117	QYSBSF3010Z	SCREW	4	FOR PWB HOLDER	
	118	QYSBSF3010Z	SCREW	2	FOR SW.PWB	
	119	QYSBSF3010Z	SCREW	2	FOR MICON PWB	
	120	QYSBSF3010Z	SCREW	6	FOR FUNCTION PWB	
	121	QYSBSF3010Z	SCREW	1	FOR REMOCON PWB	
	122	E65923-003	TAPPING SCREW	2		
	123	QYSBSF3040Z	SCREW	9	FRONT+REAR	
	124	QYSBSF3016M	SCREW	3	REAR+CD UNIT	
	125	LV42520-001A	BARRIER	1		
	126	QYSBSF3008M	SCREW	1		
	127	-----	CASSETTE MECHA	1		
	128	VKL7850-002	EJECT SAFTY(R)	1		
	129	VKW5258-003	TORSION SPRING	1		
	130	LV32544-001A	MECHA BRACKET	1		
	131	QYSDST3008Z	SCREW	1	FOR MECHA BKT	
	132	LV32545-001A	EJECT ARM	1		
	133	VKZ4341-204	SPECIAL SCREW	1	FOR EJECT ARM	
	134	LV42194-001A	SPRING	1		
	135	QYSBSF3016Z	SCREW	4	REAR+SLC	
	136	LV32962-001A	HEAD SHILD	1		
	137	LV32546-001A	RATING LABEL	1	FOR J	
	138	QYSBSF3008M	SCREW	1		
	139	WJJ0034-014A	E-SI C WIRE C-C	1	SPK	
	140	QUQ412-0706DJ	FFC WIRE	1	MICOM-MAIN SW	

■ Parts list (General assembly)

Block No. M1MM

△	Item	Parts number	Parts name	Q'ty	Description	Area
	141	QUQ412-0909CJ	FFC WIRE	1	FUNCTION-CD	
	142	QUQ412-0920CJ	FFC WIRE	1	FUNCTION-TUNER	
	143	QUQ412-0910DJ	FFC WIRE	1	FUNCTION-SLC	
	144	QUQ412-1010DJ	FFC WIRE	1	FUNCTION-SLC	
	145	QUQ412-1807CJ	FFC WIRE	1	FUNCTION-MICOM	
	146	QUQ412-1707CJ	FFC WIRE	1	FUNCTION-MICOM	
	147	QUM022-07Z3Z3	PARA RIBON WIRE	1	FW616-FW626	
	148	QUM022-10Z3Z3	PARA RIBON WIRE	1	FW915-FW925	
	149	VND4118-003	CAUTION LABEL	1		
	150	LV42519-002A	CAUTION LABEL	1		
	151	LV41782-001A	SHIELD	1		
	152	LV30226-025A	SPACER	1	-#3001	
	153	QYSBSF3010Z	TAPPING SCREW	1	#4001-	

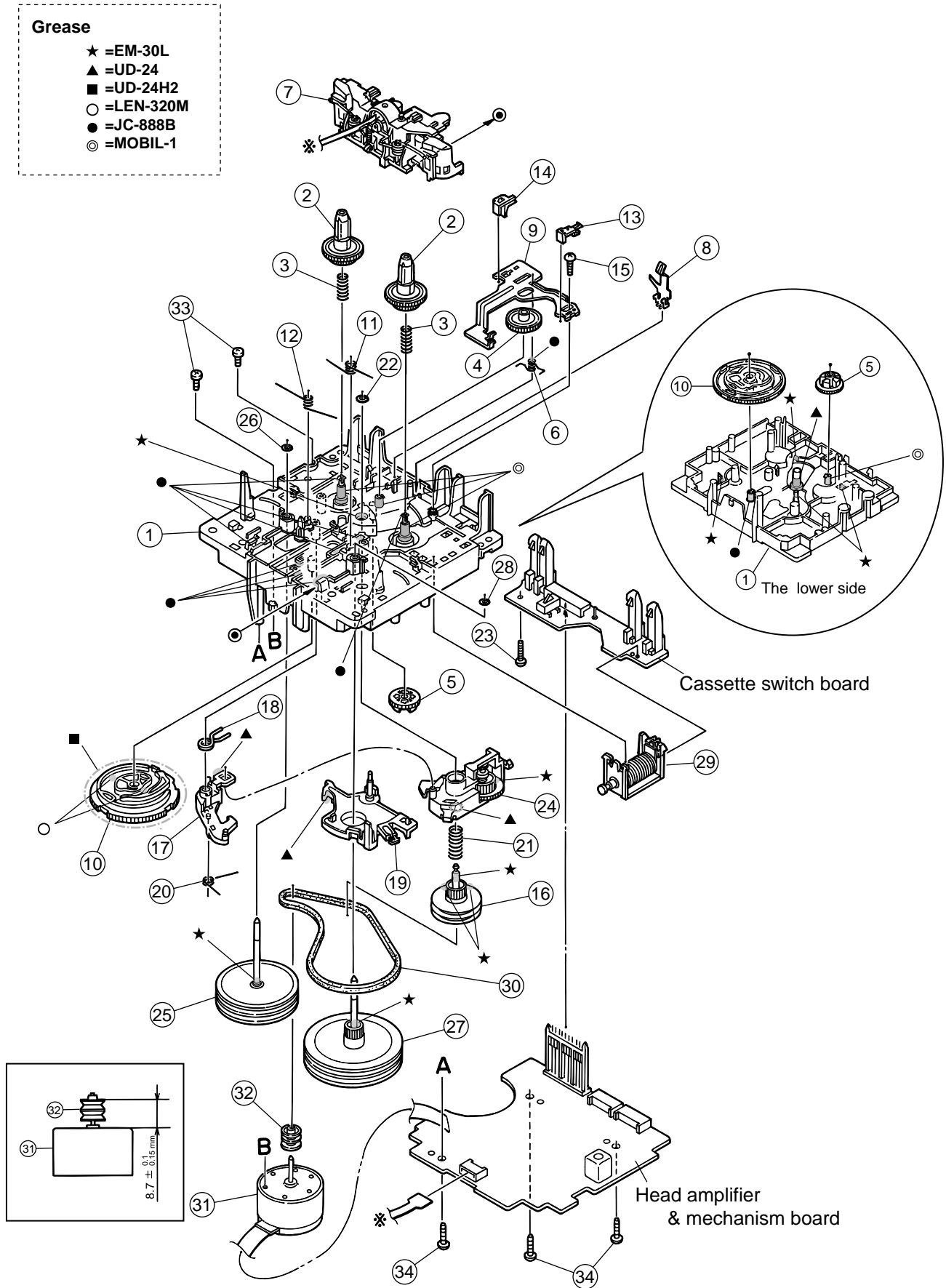
Cassette mechanism assembly and parts list

SLC-S31M

Block No. M 2 M M

Grease

- ★ =EM-30L
- ▲ =UD-24
- =UD-24H2
- =LEN-320M
- =JC-888B
- ◎ =MOBIL-1



Parts list (Cassette mechanism)

Block No. M2MM

△	Item	Parts number	Parts name	Q'ty	Description	Area
	1	VKS1165-00J	CHASSIS B.ASS'Y	1		
	2	VKS2274-002	REEL GEAR	2		
	3	VKW5286-002	B.T. SPRING	2		
	4	VKS5559-001	PLAY IDLE GEAR	1		
	5	VKS5597-00B	BLIND	1		
	6	VKW5296-001	EARTH SPRING	1		
	7	SLC-RP1SVM	HEAD MOUNT ASSY	1		
	8	VKY3149-002	CASSETTE SP.	1		
	9	LV31786-001A	PLAY SW LEVER	1		
	10	VKS1166-003	CONTROL CAM	1		
	11	VKW5279-001	HEAD BASE SP(R)	1		
	12	VKW5280-001	HEAD BASE SP(L)	1		
	13	LV41584-001A	BRAKE(R)	1		
	14	LV41585-002A	BRAKE(L)	1		
	15	QYSBSF2005Z	T.SCREW	1		
	16	VKS5603-00G	MAIN PULLEY ASY	1		
	17	VKS3785-001MM	FR ARM	1		
	18	VKW5284-002	SWING SPRING	1		
	19	VKS2278-003	TRIGGER ARM	1		
	20	VKW5301-001	FR SPRING	1		
	21	VKW5266-001	ELEVATOR SPRING	1		
	22	WDL214025	WASHER	1		
	23	QYSBSF2005Z	T.SCREW	1		
	24	VKS3786-00G	CLUTCH ASS'Y	1		
	25	VKF3205-00B	F.WHEEL ASSY(R)	1		
	26	WDL183425	SLIT WASHER	1		
	27	VKF3207-00B	F.WHEEL ASSY(L)	1		
	28	WDL173525-6	SLIT WASHER	1		
	29	VKZ3174-00A	DC SOLENOID	1		
	30	LV42234-001A	CAPSTAN BELT	1		
	31	MSI-5U2LWA	D.C.MOTOR ASS'Y	1		
	32	VKR4761-001	MOTOR PULLEY	1		
	33	QYSPSP2604Z	SCREW	2		
	34	QYSBSF2608Z	T.SCREW	3	FOR P.W.B.	

■ Electrical parts list (Main board)

Block No. 01

△	Item	Parts number	Parts name	Remarks	Area	△	Item	Parts number	Parts name	Remarks	Area
	BS401	VYH5483-101	SPRING	FOR UM-1			C5202	QTE1H28-475Z	E CAPACITOR		
	BS402	VYH5483-101	SPRING	FOR UM-1			C5203	QETN1HM-105Z	E CAPACITOR	1.0MF 20% 50V	
	BS403	VYH5483-101	SPRING	FOR UM-1			C5204	QETN1HM-105Z	E CAPACITOR	1.0MF 20% 50V	
	BS404	VYH5483-101	SPRING	FOR UM-1			C5223	QFLC1HJ-123Z	M CAPACITOR	.012MF 5% 50V	
	CN 43	QGF1205F1-09	CONNECTOR	FOR SLC			C5231	QFLC1HJ-272Z	M CAPACITOR	2700PF 5% 50V	
	CN 44	QGF1201F3-10	CONNECTOR	FOR SLC			C5232	QFLC1HJ-104Z	M CAPACITOR	.10MF 5% 50V	
	CN 91	QGF1205C1-09	CONNECTOR	FOR TUNER			C5233	QFLC1HJ-104Z	M CAPACITOR	.10MF 5% 50V	
	CN341	QGB2510J1-05	CONNECTOR	FOR DC			C5235	QTE1H06-475Z	E CAPACITOR		
	CN361	QGF1205C1-09	CONNECTOR	FOR CD			C5255	QETN1AM-226Z	E CAPACITOR	22MF 20% 10V	
	CN371	QGB1214J1-06S	CONNECTOR	FOR HP AUX			C5271	NCS31HJ-681X	C CAPACITOR		
	CN375	QGB1214J1-06S	CONN.TERMINAL	#4001-			C5301	QETN1CM-107Z	E CAPACITOR	100MF 20% 16V	
	CN381	QGF1205C1-18	FFC/FPC CONNE	FOR MICOM			C5302	QETN1EM-106Z	E CAPACITOR	10MF 20% 25V	
	CN382	QGF1205C1-17	CONNECTOR	FOR MICOM			C5351	QETN1CM-226Z	E CAPACITOR	22MF 20% 16V	
	CN401	QGA2501F1-04	CONNECTOR				C7031	QETN1CM-107Z	E CAPACITOR	100MF 20% 16V	
	CN402	QGB2510K2-05	CONNECTOR				C7032	QETN1EM-476Z	E CAPACITOR	47MF 20% 25V	
	CN701	QGB1214K1-06S	CONNECTOR				C7101	QETN1HM-105Z	E CAPACITOR	1.0MF 20% 50V	
	CN711	QGA2501C1-04	4P CONNECTOR				C7102	NCS31HJ-151X	C CAPACITOR		
	CN751	QGB1214K1-06S	CONN.TERMINAL	#4001-			C7103	NCS31HJ-8R0X	C CAPACITOR		
	C2101	QFVJ1HJ-124Z	MF CAPACITOR	.12MF 5% 50V			C7104	QETN1AM-107Z	E CAPACITOR	100MF 20% 10V	
	C2102	QFVJ1HJ-124Z	MF CAPACITOR	.12MF 5% 50V			C7201	QETN1HM-105Z	E CAPACITOR	1.0MF 20% 50V	
	C2103	QTE1E06-226Z	E CAPACITOR				C7202	NCS31HJ-151X	C CAPACITOR		
	C2104	QFN31HJ-821Z	M.CAPA.IM	820PF 5% 50V			C7203	NCS31HJ-8R0X	C CAPACITOR		
	C2105	QFVJ1HJ-564Z	MF CAPACITOR	.56MF 5% 50V			C7204	QETN1AM-107Z	E CAPACITOR	100MF 20% 10V	
	C2201	QFVJ1HJ-124Z	MF CAPACITOR	.12MF 5% 50V			C7351	QETN1HM-106Z	E CAPACITOR	10MF 20% 50V	
	C2202	QFVJ1HJ-124Z	MF CAPACITOR	.12MF 5% 50V			C8002	QEK1CM-476Z	E CAPACITOR	47MF 20% 16V	
	C2203	QTE1E06-226Z	E CAPACITOR				D2301	MTZJ4.3B-T2	ZENER DIODE		
	C2204	QFN31HJ-821Z	M.CAPA.IM	820PF 5% 50V			D2302	1SS133-T2	SI DIODE		
	C2205	QFVJ1HJ-564Z	MF CAPACITOR	.56MF 5% 50V			D2303	1SS133-T2	SI DIODE		
	C2301	QETN1CM-476Z	E CAPACITOR	47MF 20% 16V			D2813	1SS133-T2	SI DIODE		
	C2302	QTE1C06-476Z	E CAPACITOR				D3061	1SS133-T2	SI DIODE		
	C2303	QETN1HM-105Z	E CAPACITOR	1.0MF 20% 50V			D3501	MTZJ3.9B-T2	ZENER DIODE		
	C2701	QETN1HM-106Z	E CAPACITOR	10MF 20% 50V			D3502	1SS133-T2	SI DIODE		
	C2801	QETN1AM-226Z	E CAPACITOR	22MF 20% 10V			D3503	1SS133-T2	SI DIODE		
	C2811	QETN1HM-106Z	E CAPACITOR	10MF 20% 50V			D3631	MTZJ6.2B-T2	ZENER DIODE		
	C3002	QFV1HJ-334Z	MF CAPACITOR	.33MF 5% 50V			D3632	ERA18-04-T1	FR DIODE		
	C3004	QETN1CM-476Z	E CAPACITOR	47MF 20% 16V			D3633	1SS133-T2	SI DIODE		
	C3011	NCB31HK-103X	C CAPACITOR				D3641	MTZJ5.1C-T2	ZENER DIODE		
	C3021	QETN1HM-475Z	E CAPACITOR	4.7MF 20% 50V			D3642	1SS133-T2	SI DIODE		
	C3501	QETN1AM-107Z	E CAPACITOR	100MF 20% 10V			D3643	1SS133-T2	SI DIODE		
	C3511	QETN1HM-475Z	E CAPACITOR	4.7MF 20% 50V			D3651	MTZJ3.9B-T2	ZENER DIODE		
	C3621	QETN1HM-475Z	E CAPACITOR	4.7MF 20% 50V			D3811	MTZJ8.2B-T2	DIODE		
	C3622	QETN1EM-227Z	E CAPACITOR	220MF 20% 25V			D3821	1SS133-T2	SI DIODE		
	C3631	NCS31HJ-221X	C CAPACITOR				D3822	1SS133-T2	SI DIODE		
	C3632	QTMN1EM-107Z	E CAPACITOR				D4001	1N5401-TM	DIODE		
	C3633	NCS31HJ-221X	C CAPACITOR				D4002	1N5401-TM	DIODE		
	C3634	NCB31HK-102X	C CAPACITOR	#4001-			FW301	QJK019-061501	SIN CR C-B WIRE	FUNCTION-P.AMP	
	C3641	NCB31HK-222X	C CAPACITOR				FW311	QJK009-071502	SIN CR C-B WIRE	FUNCTION-P.AMP	
	C3652	QTE1C06-476Z	E CAPACITOR				FW401	QJK017-041504	SIN CR C-B WIRE	DC JACK-BATTERY	
	C3801	QFLC1HJ-104Z	M CAPACITOR	.10MF 5% 50V			FW701	QJK009-042806	SIN CR C-B WIRE	FUNCTION-HP JAC	
	C3811	QETN1AM-107Z	E CAPACITOR	100MF 20% 10V			FW923	QJK025-031103	SIN CR C-B WIRE	MICOM-REMOCON	
	C4001	NCB31HK-103X	C CAPACITOR				F4001	QMF51U1-5R0-J8	FUSE	DC	
	C5101	QETN1HM-105Z	E CAPACITOR	1.0MF 20% 50V			HS301	E70306-001	HEAT SINK		
	C5102	QTE1H28-475Z	E CAPACITOR				IC201	BA15218F-XE	IC	BB AMP	
	C5103	QETN1HM-105Z	E CAPACITOR	1.0MF 20% 50V			IC301	KIA78R08PI	IC		
	C5104	QETN1HM-105Z	E CAPACITOR	1.0MF 20% 50V			IC381	KIA78DL06PI	IC		
	C5123	QFLC1HJ-123Z	M CAPACITOR	.012MF 5% 50V			IC501	LC75342	IC		
	C5131	QFLC1HJ-272Z	M CAPACITOR	2700PF 5% 50V			IC701	BA15218F-XE	IC		
	C5132	QFLC1HJ-104Z	M CAPACITOR	.10MF 5% 50V			IC802	GP1U281X	IC	REMOCON	
	C5133	QFLC1HJ-104Z	M CAPACITOR	.10MF 5% 50V			J4001	QNA0016-001	DC JACK		
	C5135	QTE1H06-475Z	E CAPACITOR				J7001	QNS0188-001	JACK		
	C5155	QETN1AM-226Z	E CAPACITOR	22MF 20% 10V			J7002	QNS0047-001	JACK		
	C5171	NCS31HJ-681X	C CAPACITOR				K4001	QQR0779-001Z	INDUCTOR		
	C5201	QETN1HM-105Z	E CAPACITOR	1.0MF 20% 50V			L3631	QQL28AK-101	CHOKE COIL		

■ Electrical parts list (Main board)

Block No. 01

△	Item	Parts number	Parts name	Remarks	Area	△	Item	Parts number	Parts name	Remarks	Area
	L5351	QQL244K-100Z	INDUCTOR				R2701	NRSA63J-153X	MG RESISTOR		
	Q2101	2SC2412K/R/-X	TRANSISTOR				R2802	NRSA63J-472X	MG RESISTOR		
	Q2103	2SC2412K/R/-X	TRANSISTOR				R3011	NRSA63J-104X	MG RESISTOR		
	Q2171	2SD2114K/VW/-X	CHIP TRANSISTOR				R3021	NRSA63J-681X	MG RESISTOR		
	Q2201	2SC2412K/R/-X	TRANSISTOR				R3022	NRSA63J-103X	MG RESISTOR		
	Q2203	2SC2412K/R/-X	TRANSISTOR				R3023	NRSA63J-223X	MG RESISTOR		
	Q2271	2SD2114K/VW/-X	CHIP TRANSISTOR				R3024	NRSA63J-473X	MG RESISTOR		
	Q2701	DTA114EKA-X	D.TRANSISTOR				R3061	NRSA63J-683X	MG RESISTOR		
	Q2811	DTA114EKA-X	DIGITAL.TRANSIS				R3062	NRSA63J-393X	MG RESISTOR		
	Q3002	KTB772/Y/	TRANSISTOR				R3501	QRE141J-390Y	C RESISTOR	39 5% 1/4W	
	Q3003	2SC2412K/R/-X	TRANSISTOR				R3502	NRSA63J-102X	MG RESISTOR		
△	Q3501	2SA1037AK/RS/-X	TRANSISTOR	TUNER SW			R3611	NRSA63J-473X	MG RESISTOR		
	Q3511	2SC2412K/R/-X	TRANSISTOR				R3612	NRSA63J-152X	MG RESISTOR		
	Q3571	DTC144TKA-X	TRANSISTOR				R3621	NRSA63J-473X	MG RESISTOR		
	Q3572	DTC144TKA-X	TRANSISTOR				R3622	NRSA63J-103X	MG RESISTOR		
△	Q3611	KTB772/Y/	TRANSISTOR				R3631	NRSA63J-273X	MG RESISTOR		
	Q3621	2SC2412K/R/-X	TRANSISTOR				R3632	NRSA63J-103X	MG RESISTOR		
△	Q3631	2SA934/QR/-T	TRANSISTOR				R3641	NRSA63J-472X	MG RESISTOR		
	Q3632	2SC2785/FE/-T	TRANSISTOR				R3642	NRSA63J-822X	MG RESISTOR		
	Q3642	2SC2412K/R/-X	TRANSISTOR				R3643	NRSA63J-104X	MG RESISTOR		
△	Q3651	2SD468/BC/-T	TRANSISTOR				R3644	NRSA63J-224X	MG RESISTOR		
	Q5151	2SD2114K/VW/-X	CHIP TRANSISTOR				R3651	QRE141J-221Y	C RESISTOR	220 5% 1/4W	
	Q5251	2SD2114K/VW/-X	CHIP TRANSISTOR				R3801	QRZ9006-4R7X	F RESISTOR	4.7 1/0W	
	Q7101	2SD2114K/VW/-X	CHIP TRANSISTOR				R4001	NRSA63J-473X	MG RESISTOR		
	Q7102	2SD2114K/VW/-X	CHIP TRANSISTOR				R4002	NRSA63J-154X	MG RESISTOR		
	Q7201	2SD2114K/VW/-X	CHIP TRANSISTOR				R5101	NRSA63J-202X	MG RESISTOR		
	Q7202	2SD2114K/VW/-X	CHIP TRANSISTOR				R5111	NRSA63J-362X	MG RESISTOR		
	Q7351	DTC114EKA-X	TRANSISTOR				R5151	NRSA63J-223X	MG RESISTOR		
	Q7352	DTA114EKA-X	D.TRANSISTOR				R5153	NRSA63J-562X	MG RESISTOR		
	R2101	NRSA63J-432X	MG RESISTOR				R5155	NRSA63J-822X	MG RESISTOR		
	R2102	NRSA63J-822X	MG RESISTOR				R5157	NRSA63J-392X	MG RESISTOR		
	R2103	NRSA63J-390X	MG RESISTOR				R5161	NRSA63J-103X	MG RESISTOR		
	R2104	NRSA63J-154X	MG RESISTOR				R5172	NRSA63J-273X	MG RESISTOR		
	R2105	NRSA63J-101X	MG RESISTOR				R5201	NRSA63J-202X	MG RESISTOR		
	R2106	NRSA63J-153X	MG RESISTOR				R5211	NRSA63J-362X	MG RESISTOR		
	R2107	NRSA63J-153X	MG RESISTOR				R5251	NRSA63J-223X	MG RESISTOR		
	R2108	NRSA63J-122X	MG RESISTOR				R5253	NRSA63J-562X	MG RESISTOR		
	R2109	NRSA63J-474X	MG RESISTOR				R5255	NRSA63J-822X	MG RESISTOR		
	R2111	NRSA63J-224X	MG RESISTOR				R5257	NRSA63J-392X	MG RESISTOR		
	R2113	NRSA63J-822X	MG RESISTOR				R5261	NRSA63J-103X	MG RESISTOR		
	R2114	NRSA63J-332X	MG RESISTOR				R5272	NRSA63J-273X	MG RESISTOR		
	R2117	NRSA63J-103X	MG RESISTOR				R5301	QRZ9005-100X	F.RESISTOR	10 1/0W	
	R2171	NRSA63J-562X	MG RESISTOR				R7031	QRE141J-101Y	C RESISTOR	100 5% 1/4W	
	R2172	NRSA63J-102X	MG RESISTOR				R7032	QRE141J-101Y	C RESISTOR	100 5% 1/4W	
	R2201	NRSA63J-432X	MG RESISTOR				R7033	NRSA63J-102X	MG RESISTOR		
	R2202	NRSA63J-822X	MG RESISTOR				R7034	NRSA63J-122X	MG RESISTOR		
	R2203	NRSA63J-390X	MG RESISTOR				R7101	NRSA63J-103X	MG RESISTOR		
	R2204	NRSA63J-154X	MG RESISTOR				R7103	NRSA63J-102X	MG RESISTOR		
	R2205	NRSA63J-101X	MG RESISTOR				R7105	NRSA63J-224X	MG RESISTOR		
	R2206	NRSA63J-153X	MG RESISTOR				R7106	NRSA63J-273X	MG RESISTOR		
	R2207	NRSA63J-153X	MG RESISTOR				R7107	NRSA63J-393X	MG RESISTOR		
	R2208	NRSA63J-122X	MG RESISTOR				R7108	NRSA63J-220X	MG RESISTOR		
	R2209	NRSA63J-474X	MG RESISTOR				R7109	NRSA63J-222X	MG RESISTOR		
	R2211	NRSA63J-224X	MG RESISTOR				R7110	NRSA63J-102X	MG RESISTOR		
	R2213	NRSA63J-822X	MG RESISTOR				R7151	NRSA63J-0R0X	MG RESISTOR		
	R2214	NRSA63J-332X	MG RESISTOR				R7152	NRSA63J-183X	MG RESISTOR		
	R2217	NRSA63J-103X	MG RESISTOR				R7154	NRSA63J-393X	MG RESISTOR		
	R2271	NRSA63J-562X	MG RESISTOR				R7201	NRSA63J-103X	MG RESISTOR		
	R2272	NRSA63J-102X	MG RESISTOR				R7203	NRSA63J-102X	MG RESISTOR		
	R2301	QRE141J-101Y	C RESISTOR	100 5% 1/4W			R7205	NRSA63J-224X	MG RESISTOR		
	R2302	NRSA63J-152X	MG RESISTOR				R7206	NRSA63J-273X	MG RESISTOR		
	R2303	NRSA63J-104X	MG RESISTOR				R7207	NRSA63J-393X	MG RESISTOR		
	R2304	NRSA63J-682X	MG RESISTOR				R7208	NRSA63J-220X	MG RESISTOR		

■ Electrical parts list (Main board)

Block No. 01

△	Item	Parts number	Parts name	Remarks	Area
	R7209	NRSA63J-222X	MG RESISTOR		
	R7210	NRSA63J-102X	MG RESISTOR		
	R7251	NRSA63J-0R0X	MG RESISTOR		
	R7252	NRSA63J-183X	MG RESISTOR		
	R7254	NRSA63J-393X	MG RESISTOR		
	R7351	NRSA63J-472X	MG RESISTOR		
	R7352	NRSA63J-473X	MG RESISTOR		
	R7353	NRSA63J-223X	MG RESISTOR		
	R8301	NRSA63J-470X	MG RESISTOR		
△	Z4001	QNG0020-001Z	FUSE CLIP	FOR F4001	
△	Z4011	QNG0020-001Z	FUSE CLIP	FOR F4001	

■ Electrical parts list (Micom board)

Block No. 02

△	Item	Parts number	Parts name	Remarks	Area	△	Item	Parts number	Parts name	Remarks	Area
	CN101	QGA2501C1-06	6P CONNECTOR				C9045	NCB31HK-102X	C CAPACITOR		
	CN102	QGA2501C1-04	4P CONNECTOR				C9046	NCB31HK-103X	C CAPACITOR		
	CN103	QGA2501C1-07	7P CONNECTOR				C9101	QEZ0229-479Z	EDL.CAPACITOR	47000MF	
	CN112	QGB2501K1-04	CONNECTOR				C9213	NCB31CK-823X	C CAPACITOR		
	CN421	QGF1205F1-18	CONNECTOR	TO MAIN			C9214	NCB31CK-823X	C CAPACITOR		
	CN422	QGF1205F1-17	CONNECTOR	TO MAIN			C9401	QEKC1CM-106Z	E CAPACITOR	10MF 20% 16V	
	CN911	QGF1205F1-07	CONNECTOR	TO MAIN SW			C9402	QEKC1HM-225Z	E CAPACITOR	2.2MF 20% 50V	
	CN913	QGA2501C1-03	3P CONNECTOR	TO REMOCON			DI901	QLD0171-001	LCD MODULE		
	CN921	QGF1205F1-07	CONNECTOR	TO MICON		△	D1001	ERA18-04-T1	FR DIODE		
	C1001	QETM1EM-478	E CAPACITOR	4700MF 20% 25V			D1021	1SS133-T2	SI.DIODE	#4001-	
	C1002	QEX61EM-225Z	E CAPACITOR	2.2MF 20% 25V			D2304	1SS133-T2	SI DIODE		
	C1011	NCB31HK-152X	C CAPACITOR				D2305	1SS133-T2	SI DIODE		
	C1031	QTE1E28-107Z	E CAPACITOR				D2404	1SS133-T2	SI DIODE		
	C1032	QEKC1EM-336Z	E CAPACITOR	33MF 20% 25V			D2405	1SS133-T2	SI DIODE		
	C1033	QETN1HM-106Z	E CAPACITOR	10MF 20% 50V			D3063	MTZJ3.0B-T2	DIODE	#4001-	
	C1091	NCB31EK-473X	C CAPACITOR				D8001	SLR-342VR-T	LED	STAND-BY LED	
	C1092	NCB31EK-473X	C CAPACITOR				D8201	TLYH156P	LED	BACK LIGHT LED	
	C1093	NCB31EK-473X	C CAPACITOR				D8202	TLYH156P	LED	BACK LIGHT LED	
	C1101	QTE1H06-475Z	E CAPACITOR				D9001	1SS133-T2	SI DIODE		
	C1102	NCS31HJ-151X	C CAPACITOR				D9002	MTZJ5.1C-T2	ZENER DIODE		
	C1103	QFVF1HJ-104Z	MF CAPACITOR	.10MF 5% 50V			D9112	1SS133-T2	SI DIODE		
	C1104	QFVF1HJ-104Z	MF CAPACITOR	.10MF 5% 50V			D9211	MA152WA-X	DIODE		
	C1111	QETN1CM-476Z	E CAPACITOR	47MF 20% 16V			D9401	1SS133-T2	SI DIODE		
	C1112	QETN1CM-476Z	E CAPACITOR	47MF 20% 16V			FW111	QJK017-041207	SIN CR C-B WIRE	SPK.CONNECT-P.A	
	C1201	QTE1H06-475Z	E CAPACITOR				FW914	QJK021-080603	SIN CR C-B WIRE		
	C1202	NCS31HJ-151X	C CAPACITOR			△	IC101	LA4905	IC		
	C1203	QFVF1HJ-104Z	MF CAPACITOR	.10MF 5% 50V			IC801	GP1U281X	IC	REMOCON	
	C1204	QFVF1HJ-104Z	MF CAPACITOR	.10MF 5% 50V			IC901	MN101C38CHX	IC	MICON LSI	
	C1211	QETN1CM-476Z	E CAPACITOR	47MF 20% 16V			K9001	QQR1183-001Z	F.BEADS		
	C1212	QETN1CM-476Z	E CAPACITOR	47MF 20% 16V			L1001	QQR1202-001	CHOKE COIL		
	C2304	NCB31AK-474X	C CAPACITOR				L9001	QQL244K-100Z	INDUCTOR		
	C2305	NCB31AK-474X	C CAPACITOR				L9002	QQL244K-100Z	INDUCTOR		
	C2404	NCB31AK-474X	C CAPACITOR			△	Q1001	KTC2028/Y/	TRANSISTOR		
	C2405	NCB31AK-474X	C CAPACITOR				Q1011	2SA1037AK/RS/-X	TRANSISTOR		
	C8001	QER61CM-476Z	E CAPACITOR	47MF 20% 16V			Q1012	2SC2412K/R/-X	TRANSISTOR		
	C9002	NCB31HK-102X	C CAPACITOR				Q1021	2SA1037AK/RS/-X	SI.TRANSISTOR	#4001-	
	C9003	NCB31HK-102X	C CAPACITOR				Q1022	2SD2114K/VW/-X	TRANSISTOR	#4001-	
	C9005	NCB31HK-103X	C CAPACITOR				Q9001	KTC3195/O/-T	TRANSISTOR	OSCILATOR	
	C9006	NCS31HJ-680X	C CAPACITOR				Q9002	KTC3195/O/-T	TRANSISTOR	OSCILATOR	
	C9007	NCS31HJ-331X	C CAPACITOR				Q9003	DTC144TKA-X	TRANSISTOR	BUP SW	
	C9008	NCB31EK-104X	C CAPACITOR				Q9005	2SC2412K/R/-X	TRANSISTOR	AC/DC	
	C9013	NCS31HJ-151X	C CAPACITOR				Q9006	2SC2412K/R/-X	TRANSISTOR	LED CON.	
	C9014	NCS31HJ-151X	C CAPACITOR				Q9010	2SA1037AK/RS/-X	TRANSISTOR	BCTL	
	C9015	NCS31HJ-151X	C CAPACITOR				Q9021	DTC114YKA-X	D.TRANSISTOR	5-3 CHANGE	
	C9016	NCS31HJ-151X	C CAPACITOR				Q9022	DTC114YKA-X	D.TRANSISTOR	5-3 CHANGE	
	C9017	NCS31HJ-151X	C CAPACITOR				Q9023	DTC114YKA-X	D.TRANSISTOR	5-3 CHANGE	
	C9018	NCS31HJ-151X	C CAPACITOR				Q9024	DTC114YKA-X	D.TRANSISTOR	5-3 CHANGE	
	C9019	NCB31HK-102X	C CAPACITOR				Q9025	DTC114YKA-X	D.TRANSISTOR	5-3 CHANGE	
	C9022	NCB31HK-103X	C CAPACITOR				Q9054	DTA124XKA-X	D.TRANSISTOR	POWER LED	
	C9024	NCB31HK-103X	C CAPACITOR				Q9401	DTC143TKA-X	D.TRANSISTOR		
	C9025	NCB31HK-103X	C CAPACITOR			△	R1001	QRZ9006-4R7X	F RESISTOR	4.7 1/0W	
	C9026	QEKC1AM-107Z	E CAPACITOR	100MF 20% 10V			R1002	QRZ9006-4R7X	F RESISTOR	4.7 1/0W	
	C9029	NCS31HJ-220X	C CAPACITOR				R1012	NRSA63J-103X	MG RESISTOR		
	C9030	NCS31HJ-820X	C CAPACITOR				R1013	NRSA63J-682X	MG RESISTOR		
	C9031	NDC31HJ-360X	C CAPACITOR				R1014	NRSA63J-332X	MG RESISTOR		
	C9032	NDC31HJ-360X	C CAPACITOR				R1021	QAD0015-153Z	N.THERMISTOR	#4001-	
	C9033	NCS31HJ-820X	C CAPACITOR				R1022	NRSA63J-562X	MG RESISTOR	#4001-	
	C9034	NCB31HK-102X	C CAPACITOR				R1023	NRSA63J-202X	MG RESISTOR	#4001-	
	C9035	NCS31HJ-220X	C CAPACITOR				R1024	NRSA63J-822X	MG RESISTOR	#4001-	
	C9040	NCS31HJ-102X	C CAPACITOR				R1026	NRSA63J-102X	MG RESISTOR	#4001-	
	C9041	NCB31HK-102X	C CAPACITOR				R1027	NRSA63J-102X	MG RESISTOR	#4001-	
	C9042	NCS31HJ-221X	C CAPACITOR				R1031	NRSA63J-223X	MG RESISTOR		
	C9043	NCS31HJ-221X	C CAPACITOR				R1101	QRE141J-2R2Y	C RESISTOR	2.2 5% 1/4W	

■ Electrical parts list (Micom board)

Block No. 02

△	Item	Parts number	Parts name	Remarks	Area	△	Item	Parts number	Parts name	Remarks	Area
	R1102	QRE141J-2R2Y	C RESISTOR	2.2 5% 1/4W			R9050	NRSA63J-222X	MG RESISTOR		
	R1111	NRSA63J-152X	MG RESISTOR				R9051	NRSA63J-103X	MG RESISTOR		
	R1112	NRSA63J-152X	MG RESISTOR				R9052	NRSA63J-102X	MG RESISTOR		
	R1201	QRE141J-2R2Y	C RESISTOR	2.2 5% 1/4W			R9053	NRSA63J-102X	MG RESISTOR		
	R1202	QRE141J-2R2Y	C RESISTOR	2.2 5% 1/4W			R9054	NRSA63J-102X	MG RESISTOR		
	R1211	NRSA63J-152X	MG RESISTOR				R9055	NRSA63J-102X	MG RESISTOR		
	R1212	NRSA63J-152X	MG RESISTOR				R9056	NRSA63J-222X	MG RESISTOR		
	R2305	NRSA63J-152X	MG RESISTOR				R9057	NRSA63J-153X	MG RESISTOR		
	R2306	NRSA63J-152X	MG RESISTOR				R9060	NRSA63J-102X	MG RESISTOR		
	R2405	NRSA63J-152X	MG RESISTOR				R9062	NRSA63J-222X	MG RESISTOR		
	R2406	NRSA63J-152X	MG RESISTOR				R9065	NRSA63J-103X	MG RESISTOR		
	R8001	NRSA63J-512X	MG RESISTOR				R9066	NRSA63J-103X	MG RESISTOR		
	R8002	NRSA63J-182X	MG RESISTOR				R9067	NRSA63J-104X	MG RESISTOR		
	R8003	NRSA63J-102X	MG RESISTOR				R9068	NRSA63J-102X	MG RESISTOR		
	R8004	NRSA63J-561X	MG RESISTOR				R9069	NRSA63J-222X	MG RESISTOR		
	R8005	NRSA63J-391X	MG RESISTOR				R9079	NRSA63J-562X	MG RESISTOR		
	R8006	NRSA63J-271X	MG RESISTOR				R9081	NRSA63J-472X	MG RESISTOR		
	R8007	NRSA63J-221X	MG RESISTOR				R9082	NRSA63J-102X	MG RESISTOR		
	R8008	NRSA63J-181X	MG RESISTOR				R9088	NRSA63J-103X	MG RESISTOR		
	R8009	NRSA63J-121X	MG RESISTOR				R9089	NRSA63J-104X	MG RESISTOR		
	R8010	NRSA63J-101X	MG RESISTOR				R9090	NRSA63J-103X	MG RESISTOR		
	R8011	NRSA63J-101X	MG RESISTOR				R9098	NRSA63J-333X	MG RESISTOR		
	R8020	NRSA63J-121X	MG RESISTOR				R9100	NRSA63J-104X	MG RESISTOR		
	R8021	NRSA63J-151X	MG RESISTOR				R9101	NRSA63J-104X	MG RESISTOR		
	R8201	NRSA63J-470X	MG RESISTOR				R9108	NRSA63J-563X	MG RESISTOR		
	R9001	NRSA63J-104X	MG RESISTOR				R9110	NRSA63J-473X	MG RESISTOR		
	R9002	NRSA63J-104X	MG RESISTOR				R9111	NRSA63J-473X	MG RESISTOR		
	R9003	NRSA63J-104X	MG RESISTOR				R9112	NRSA63J-473X	MG RESISTOR		
	R9004	NRSA63J-333X	MG RESISTOR				R9113	NRSA63J-104X	MG RESISTOR		
	R9005	NRSA63J-104X	MG RESISTOR				R9115	NRSA63J-331X	MG RESISTOR		
	R9006	NRSA63J-224X	MG RESISTOR				R9116	NRSA63J-473X	MG RESISTOR		
	R9007	NRSA63J-222X	MG RESISTOR				R9201	NRSA63J-243X	MG RESISTOR		
	R9009	NRSA63J-222X	MG RESISTOR				R9202	NRSA63J-243X	MG RESISTOR		
	R9010	NRSA63J-222X	MG RESISTOR				R9203	NRSA63J-153X	MG RESISTOR		
	R9011	NRSA63J-222X	MG RESISTOR				R9204	NRSA63J-153X	MG RESISTOR		
	R9013	NRSA63J-222X	MG RESISTOR				R9205	NRSA63J-153X	MG RESISTOR		
	R9014	NRSA63J-222X	MG RESISTOR				R9206	QRE141J-151Y	C RESISTOR	150 5% 1/4W	
	R9015	NRSA63J-102X	MG RESISTOR				R9213	QRE141J-332Y	C RESISTOR	-#4000	
	R9018	NRSA63J-103X	MG RESISTOR				R9213	NRSA63J-332X	C RESISTOR	#4001-	
	R9020	NRSA63J-682X	MG RESISTOR				R9214	QRE141J-332Y	C RESISTOR	3.3K 5% 1/4W	
	R9021	NRSA63J-103X	MG RESISTOR				R9215	QRE141J-332Y	C RESISTOR	-#4000	
	R9022	NRSA63J-473X	MG RESISTOR				R9215	NRSA63J-332X	C RESISTOR	#4001-	
	R9024	NRSA63J-222X	MG RESISTOR				R9216	QRE141J-332Y	C RESISTOR	3.3K 5% 1/4W	
	R9025	NRSA63J-822X	MG RESISTOR				R9401	NRSA63J-472X	MG RESISTOR		
	R9026	NRSA63J-103X	MG RESISTOR				R9402	NRSA63J-103X	MG RESISTOR		
	R9027	NRSA63J-222X	MG RESISTOR				S8001	QSW0622-001Z	TACT SWITCH	CD	
	R9028	NRSA63J-822X	MG RESISTOR				S8002	QSW0622-001Z	TACT SWITCH	TAPE	
	R9030	NRSA63J-472X	MG RESISTOR				S8003	QSW0622-001Z	TACT SWITCH	TUNER	
	R9031	NRSA63J-102X	MG RESISTOR				S8004	QSW0622-001Z	TACT SWITCH	REC	
	R9032	NRSA63J-102X	MG RESISTOR				S8005	QSW0622-001Z	TACT SWITCH	REW	
	R9033	NRSA63J-102X	MG RESISTOR				S8006	QSW0622-001Z	TACT SWITCH	STOP/PRESET	
	R9034	NRSA63J-103X	MG RESISTOR				S8007	QSW0622-001Z	TACT SWITCH	FF	
	R9035	NRSA63J-222X	MG RESISTOR				S8008	QSW0622-001Z	TACT SWITCH	ASP	
	R9036	NRSA63J-102X	MG RESISTOR				S8009	QSW0622-001Z	TACT SWITCH	AUX	
	R9037	NRSA63J-222X	MG RESISTOR				S8010	QSW0622-001Z	TACT SWITCH	VOL -	
	R9038	NRSA63J-222X	MG RESISTOR				S8011	QSW0622-001Z	TACT SWITCH	VOL +	
	R9039	NRSA63J-102X	MG RESISTOR				S8020	QSW0622-001Z	TACT SWITCH	POWER	
	R9040	NRSA63J-332X	MG RESISTOR				X9001	QAX0401-001	CRYSTAL		
	R9043	NRSA63J-102X	MG RESISTOR				X9002	QAX0416-001Z	CERA LOCK		
	R9044	NRSA63J-103X	MG RESISTOR								
	R9045	NRSA63J-103X	MG RESISTOR								
	R9046	NRSA63J-103X	MG RESISTOR								
	R9048	NRSA63J-472X	MG RESISTOR								

■ Electrical parts list (CD servo board)

Block No. 03

△	Item	Parts number	Parts name	Remarks	Area
	CN611	QGF1004F4-16	16PIN CONNECTOR		
	CN612	QGA2001C1-06	6P PLUG ASSY		
	CN614	QGF1205F1-09	CONNECTOR		
	CN624	QGA2001C1-08	8P PLUG ASSY		
	C6101	NCB31CK-104X	C CAPACITOR		
	C6102	QEKC1AM-107Z	E CAPACITOR	100MF 20% 10V	
	C6103	NCB31HK-122X	C CAPACITOR		
	C6104	NCB31HK-152X	C CAPACITOR		
	C6105	NCB31HK-152X	C CAPACITOR		
	C6106	NCB31HK-152X	C CAPACITOR		
	C6107	QEKC1CM-106Z	E CAPACITOR	10MF 20% 16V	
	C6108	NCB31HK-223X	C CAPACITOR		
	C6109	NCB31HK-223X	C CAPACITOR		
	C6110	NCB31HK-561X	C CAPACITOR		
	C6111	NCB31CK-104X	C CAPACITOR		
	C6112	NCB31HK-223X	C CAPACITOR		
	C6113	NCB31CK-104X	C CAPACITOR		
	C6114	NCB31AK-224X	C CAPACITOR		
	C6115	NCB31AK-474X	C CAPACITOR		
	C6116	NCB31HK-103X	C CAPACITOR		
	C6117	QEKC1AM-107Z	E CAPACITOR	100MF 20% 10V	
	C6118	NCB31CK-104X	C CAPACITOR		
	C6119	NCB31HK-222X	C CAPACITOR		
	C6120	NCB31HK-222X	C CAPACITOR		
	C6121	NCB31CK-104X	C CAPACITOR		
	C6122	QEKC1AM-107Z	E CAPACITOR	100MF 20% 10V	
	C6123	QDCB1HJ-150Y	C CAPACITOR	#4000	
	C6123	NDC31HJ-150X	C CAPACITOR	#4001-	
	C6123	NDC31HJ-150X	C CAPACITOR	#4001-	
	C6124	QDCB1HJ-150Y	C CAPACITOR	#4000	
	C6125	QEKC1AM-107Z	E CAPACITOR	100MF 20% 10V	
	C6126	NCB31CK-104X	C CAPACITOR		
	C6127	QEKC1AM-107Z	E CAPACITOR	100MF 20% 10V	
	C6128	NCB31CK-104X	C CAPACITOR		
	C6129	QCZ0205-155Z	ML C CAPACITOR	1.5MF	
	C6190	QCZ0205-155Z	ML C CAPACITOR	1.5MF	
	C6201	NDC31HJ-200X	C CAPACITOR		
	C6202	NDC31HJ-200X	C CAPACITOR		
	C6203	NCB31HK-102X	C CAPACITOR		
	C6204	QCZ0205-155Z	ML C CAPACITOR	1.5MF	
	C6211	NCB31HK-331X	C CAPACITOR		
	C6212	NCB31HK-331X	C CAPACITOR		
	C6213	NCB31HK-331X	C CAPACITOR		
	C6214	NCB31HK-331X	C CAPACITOR		
	C6215	NCB31HK-103X	C CAPACITOR		
	C6301	QEKC1AM-107Z	E CAPACITOR	100MF 20% 10V	
	C6302	NCB31CK-104X	C CAPACITOR		
	C6401	NCB31CK-104X	C CAPACITOR		
	C6402	QEKC1CM-476Z	E CAPACITOR	47MF 20% 16V	
	C6403	NCS31HJ-181X	C CAPACITOR		
	C6404	NCB31HK-821X	C CAPACITOR		
	C6405	NCS31HJ-391X	C CAPACITOR		
	C6406	NCB31EK-273X	C CAPACITOR		
	C6407	NCB31CK-104X	C CAPACITOR		
	C6408	NCB31EK-273X	C CAPACITOR		
	C6409	NCB31EK-273X	C CAPACITOR		
	C6410	QEKC1CM-476Z	E CAPACITOR	47MF 20% 16V	
	C6411	QEKC1CM-476Z	E CAPACITOR	47MF 20% 16V	
	C6412	NCS31HJ-560X	C CAPACITOR		
	C6414	NCS31HJ-221X	C CAPACITOR		
	C6415	QCZ0205-155Z	ML C CAPACITOR	1.5MF	
	D6201	MA700A-T2	S.B.DIODE		
	D6202	1SS133-T2	SI DIODE		

△	Item	Parts number	Parts name	Remarks	Area
	D6301	1SS133-T2	SI DIODE		
	D6302	1SS133-T2	SI DIODE		
	IC601	MN35530	IC		
	IC602	MN101C30AHY	IC		
	IC603	AN4801SB-W	IC		
	IC604	AN8838SB-W	IC		
	IC605	M11L1644SA-50T	IC(DRAM)		
	K6101	QQR0779-001Z	INDUCTOR		
	K6102	QQR0779-001Z	INDUCTOR		
	K6103	QQR0779-001Z	INDUCTOR		
	L6301	QQL244K-100Z	INDUCTOR		
	L6302	QQL244K-100Z	INDUCTOR		
	Q6401	2SB709A/R/-X	TRANSISTOR		
	R6101	NRSA63J-123X	MG RESISTOR		
	R6102	NRSA63J-123X	MG RESISTOR		
	R6103	NRSA63J-182X	MG RESISTOR		
	R6104	NRSA63J-182X	MG RESISTOR		
	R6105	NRSA63J-123X	MG RESISTOR		
	R6106	NRSA63J-123X	MG RESISTOR		
	R6107	NRSA63J-123X	MG RESISTOR		
	R6108	NRSA63J-124X	MG RESISTOR		
	R6109	NRSA63J-563X	MG RESISTOR		
	R6110	NRSA63J-563X	MG RESISTOR		
	R6111	NRSA63J-563X	MG RESISTOR		
△	R6112	QRZ9006-4R7X	F RESISTOR	4.7 1/0W =B6001	
	R6113	NRSA63J-0R0X	MG RESISTOR		
	R6115	NRSA63J-104X	MG RESISTOR		
	R6116	NRSA63J-104X	MG RESISTOR		
	R6117	NRSA63J-0R0X	MG RESISTOR	=B6002	
	R6118	NRSA63J-103X	MG RESISTOR		
	R6119	NRSA63J-153X	MG RESISTOR		
	R6120	NRSA63J-153X	MG RESISTOR		
	R6121	NRSA63J-153X	MG RESISTOR		
	R6122	NRSA63J-273X	MG RESISTOR		
	R6123	NRSA63J-563X	MG RESISTOR		
	R6124	NRSA63J-683X	MG RESISTOR		
	R6125	NRSA63J-473X	MG RESISTOR		
	R6127	NRSA63J-101X	MG RESISTOR		
	R6128	NRSA63J-473X	MG RESISTOR		
	R6129	NRSA63J-683X	MG RESISTOR		
	R6130	NRSA63J-391X	MG RESISTOR		
	R6131	NRSA63J-222X	MG RESISTOR		
	R6132	NRSA63J-102X	MG RESISTOR		
	R6133	NRSA63J-102X	MG RESISTOR		
	R6134	NRSA63J-103X	MG RESISTOR		
△	R6135	QRZ9006-4R7X	F RESISTOR	4.7 1/0W	
	R6136	NRSA63J-104X	MG RESISTOR		
	R6137	NRSA63J-104X	MG RESISTOR		
	R6138	NRSA63J-104X	MG RESISTOR		
	R6143	NRSA63J-0R0X	MG RESISTOR	=B6003	
	R6201	NRSA63J-222X	MG RESISTOR		
	R6202	NRSA63J-103X	MG RESISTOR		
	R6203	NRSA63J-103X	MG RESISTOR		
	R6205	NRSA63J-103X	MG RESISTOR		
	R6206	NRSA63J-222X	MG RESISTOR		
	R6207	NRSA63J-103X	MG RESISTOR		
	R6210	NRSA63J-103X	MG RESISTOR		
	R6301	NRSA63J-393X	MG RESISTOR		
	R6302	NRSA63J-223X	MG RESISTOR		
	R6303	NRSA63J-393X	MG RESISTOR		
	R6304	NRSA63J-393X	MG RESISTOR		
	R6305	NRSA63J-103X	MG RESISTOR		
	R6308	NRSA63J-103X	MG RESISTOR		

■ Electrical parts list (CD servo board)

Block No. 03

△	Item	Parts number	Parts name	Remarks	Area
	R6401	NRSA63J-223X	MG RESISTOR		
	R6402	NRSA63J-333X	MG RESISTOR		
	R6403	NRSA63J-473X	MG RESISTOR		
	R6404	NRSA63J-393X	MG RESISTOR		
△	R6405	QRZ9006-4R7X	F RESISTOR	4.7 1/0W	
	R6406	NRSA63J-222X	MG RESISTOR		
	R6407	NRSA63J-682X	MG RESISTOR		
	R6408	NRSA63J-332X	MG RESISTOR		
	R6409	NRSA63J-392X	MG RESISTOR		
	R6410	NRSA63J-392X	MG RESISTOR		
	R6411	NRSA63J-0R0X	MG RESISTOR	=B6004	
	R6412	NRSA63J-0R0X	MG RESISTOR	=B6005	
	R6413	NRSA63J-820X	MG RESISTOR		
	R6414	NRSA63J-220X	MG RESISTOR		
	R6415	NRSA63J-220X	MG RESISTOR		
	R6416	NRSA63J-0R0X	MG RESISTOR	=B6416	
	S8101	QSW0122-001	PUSH SWITCH		
	X6101	QAX0599-001Z	CRYSTAL		
	X6201	QAX0416-001Z	CERA LOCK		

■ Electrical parts list (Tuner board)

Block No. 04

△	Item	Parts number	Parts name	Remarks	Area
	C 3	QCSB1HK-5R6Y	C CAPACITOR	5.6PF 10% 50V	
	C 6	QDYB1CM-103Y	C CAPACITOR		
	C 7	QDYB1CM-103Y	C CAPACITOR		
	C 9	QCSB1HJ-120Y	C CAPACITOR	12PF 5% 50V	
	C 13	QDX31EM-223Z	C CAPACITOR		
	C 16	QDYB1CM-103Y	C CAPACITOR		
	C 21	QDX31EM-473Z	C CAPACITOR		
	C 22	QFP31HJ-431Z	PP CAPACITOR	430PF 5% 50V	
	C 23	QDCB1HJ-120Y	C CAPACITOR		
	C 30	QCBB1HK-331Y	C CAPACITOR	330PF 10% 50V	
	C 31	QDGB1HK-102Y	C CAPACITOR		
	C 32	QDYB1CM-103Y	C CAPACITOR		
	C 33	QETN1AM-107Z	E CAPACITOR	100MF 20% 10V	
	C 35	QDX31EM-473Z	C CAPACITOR		
	C 36	QETN1HM-475Z	E CAPACITOR	4.7MF 20% 50V	
	C 37	QDGB1HK-102Y	C CAPACITOR		
	C 40	QDYB1CM-103Y	C CAPACITOR		
	C 41	QETN1HM-475Z	E CAPACITOR	4.7MF 20% 50V	
	C 42	QDX31EM-473Z	C CAPACITOR		
	C 43	QETN1HM-104Z	E CAPACITOR	.10MF 20% 50V	
	C 44	QETN1HM-105Z	E CAPACITOR	1.0MF 20% 50V	
	C 45	QETN1HM-104Z	05CAPACITOR	.10MF 20% 50V	
	C 47	QDX31EM-153Z	C CAPACITOR		
	C 48	QDX31EM-153Z	C CAPACITOR		
	C 49	QETN1HM-104Z	E CAPACITOR	.10MF 20% 50V	
	C 50	QETN1HM-104Z	E CAPACITOR	.10MF 20% 50V	
	C 51	QCBB1HK-331Y	C CAPACITOR	330PF 10% 50V	
	C 52	QDGB1HK-102Y	C CAPACITOR		
	C 60	QDGB1HK-102Y	C CAPACITOR		
	C 61	QETN1AM-107Z	E CAPACITOR	100MF 20% 10V	
	C 62	QDCB1HJ-120Y	C CAPACITOR		
	C 63	QDGB1HK-102Y	C CAPACITOR		
	C 64	QDCB1HJ-120Y	C CAPACITOR		
	C 65	QDGB1HK-102Y	C CAPACITOR		
	C 68	QCBB1HK-151Y	C CAPACITOR	150PF 10% 50V	
	C 69	QDXB1CM-222Y	C CAPACITOR		
	C 70	QETN1HM-225Z	E CAPACITOR	2.2MF 20% 50V	
	C 71	QETN1CM-106Z	E CAPACITOR	10MF 20% 16V	
	C 77	QDYB1CM-103Y	C CAPACITOR		
	C 81	QCSB1HJ-150Y	C CAPACITOR	15PF 5% 50V	
	C 83	QCSB1HJ-560Y	C CAPACITOR	56PF 5% 50V	
	C 85	QCSB1HJ-150Y	C CAPACITOR	15PF 5% 50V	
	CF 1	QAX0403-001	C FILTER		
	CF 3	QAX0538-001Z	CRYSTAL		
	CN 1	QGF1205C1-09	CONNECTOR	TO MAIN	
	D 1	SVC203SPA-JV-T	VARI CAP		
	D 2	SVC203SPA-JV-T	VARI CAP		
	D 5	1SS133-T2	SI DIODE		
	D 6	1SS133-T2	SI DIODE		
	D 8	SVC344-T	VARI CAP		
	D 12	DSK10C-T1	DIODE		
	D 13	1SS133-T2	SI DIODE		
	IC 1	TA2104AN	IC		
	IC 2	LC72136N	IC		
	L 1	QQR0772-001	OSC COIL	FM OSC	
	L 2	QQR0769-001	RF COIL	FM RF	
	L 3	QQR0745-001	BAR ANTENA	MW RF	
	L 4	QQR0723-001	OSC COIL	MW OSC	
	L 7	QQL231K-221Y	INDUCTOR		
	L 10	QQL231K-4R7Y	INDUCTOR		
	L 12	QQR0756-001	INDUCTOR		
	Q 1	2SC2668/O/-T	TRANSISTOR		
	R 1	QRE141J-104Y	C RESISTOR	100K 5% 1/4W	

△	Item	Parts number	Parts name	Remarks	Area
	R 2	QRE141J-473Y	C RESISTOR	47K 5% 1/4W	
	R 3	QRE141J-220Y	C RESISTOR	22 5% 1/4W	
	R 4	QRE141J-473Y	C RESISTOR	47K 5% 1/4W	
	R 7	QRE141J-104Y	C RESISTOR	100K 5% 1/4W	
	R 9	QRE141J-472Y	C RESISTOR	4.7K 5% 1/4W	
	R 13	QRE141J-104Y	C RESISTOR	100K 5% 1/4W	
	R 18	QRE141J-102Y	C RESISTOR	1.0K 5% 1/4W	
	R 20	QRE141J-223Y	C RESISTOR	22K 5% 1/4W	
	R 24	QRE141J-681Y	C RESISTOR	680 5% 1/4W	
	R 25	QRE141J-102Y	C RESISTOR	1.0K 5% 1/4W	
	R 30	QRE141J-183Y	C RESISTOR	18K 5% 1/4W	
	R 31	QRE141J-104Y	C RESISTOR	100K 5% 1/4W	
	R 32	QRE141J-332Y	C RESISTOR	3.3K 5% 1/4W	
	R 33	QRE141J-471Y	C RESISTOR	470 5% 1/4W	
	R 35	QRE141J-223Y	C RESISTOR	22K 5% 1/4W	
	R 36	QRE141J-223Y	C RESISTOR	22K 5% 1/4W	
	R 37	QRE141J-560Y	C RESISTOR	56 5% 1/4W	
	R 38	QRE141J-101Y	C RESISTOR	100 5% 1/4W	
	R 39	QRE141J-680Y	C RESISTOR	68 5% 1/4W	
	R 42	QRE141J-473Y	C RESISTOR	47K 5% 1/4W	
	R 44	QRE141J-222Y	C RESISTOR	2.2K 5% 1/4W	
	R 47	QRE141J-220Y	C RESISTOR	22 5% 1/4W	
	R 48	QRE141J-102Y	C RESISTOR	1.0K 5% 1/4W	
	R 52	QRE141J-103Y	C RESISTOR	10K 5% 1/4W	
	R 54	QRE141J-222Y	C RESISTOR	2.2K 5% 1/4W	
	R 55	QRE141J-222Y	C RESISTOR	2.2K 5% 1/4W	
	R 56	QRE141J-332Y	C RESISTOR	3.3K 5% 1/4W	
	R 57	QRE141J-102Y	C RESISTOR	1.0K 5% 1/4W	
	R 59	QRE141J-102Y	C RESISTOR	1.0K 5% 1/4W	
	R 60	QRE141J-102Y	C RESISTOR	1.0K 5% 1/4W	
	R 61	QRE141J-102Y	C RESISTOR	1.0K 5% 1/4W	
	R 63	QRE141J-473Y	C RESISTOR	47K 5% 1/4W	
	R 64	QRE141J-102Y	C RESISTOR	1.0K 5% 1/4W	
	T 2	QAX0540-001	C FIL		
	TC 2	QAT3725-200Z	T CAPACITOR	MW RF	
	TP 1	QNZ0104-001	POST PIN	TO ROD ANT	
	TP 2	QNZ0104-001	POST PIN	GND	
	X 1	QAX0402-001	CRYSTAL		

■ Electrical parts list (Head amplifier & mechanism board) Block No. 05

Item	Parts number	Parts name	Remarks	Area	Item	Parts number	Parts name	Remarks	Area
C 101	NCS21HJ-821X	C CAPACITOR			IC 33	BU4094BCF-X	IC		
C 102	NCS21HJ-221X	C CAPACITOR			L 301	QQR0620-001	OSC COIL(BIAS)		
C 103	QEKJ0JM-227Z	E CAPACITOR	220MF 20% 6.3V		L 303	QQL01BK-100Z	INDUCTOR		
C 104	NCB21HK-333X	C CAPACITOR			Q 101	DTC114TKA-X	TRANSISTOR		
C 105	NCB21HK-222X	C CAPACITOR			Q 102	DTC114TKA-X	TRANSISTOR		
C 106	QEKJ1CM-106Z	E CAPACITOR	10MF 20% 16V		Q 201	DTC114TKA-X	TRANSISTOR		
C 107	NCS21HJ-561X	C CAPACITOR			Q 202	DTC114TKA-X	TRANSISTOR		
C 108	QEKJ1EM-475Z	E CAPACITOR	4.7MF 20% 25V		Q 301	DTA144EKA-X	TRANSISTOR		
C 109	QEKJ1EM-475Z	E CAPACITOR	4.7MF 20% 25V		Q 302	2SC2001/K/-T	TRANSISTOR		
C 110	NCB21HK-682X	C CAPACITOR			Q 303	2SC2001/K/-T	TRANSISTOR		
C 111	NCB21HK-122X	C CAPACITOR			Q 304	2SC2001/LK/-T	TRANSISTOR		
C 112	NCB21EK-683X	C CAPACITOR			Q 305	2SC2001/LK/-T	TRANSISTOR		
C 113	NCB21HK-222X	C CAPACITOR			Q 306	2SC2412K/RS/-X	CHIP TRANSISTOR		
C 121	NCS21HJ-331X	C CAPACITOR			Q 307	2SC2412K/RS/-X	CHIP TRANSISTOR		
C 201	NCS21HJ-821X	C CAPACITOR			Q 308	2SC2412K/RS/-X	CHIP TRANSISTOR		
C 202	NCS21HJ-221X	C CAPACITOR			Q 309	2SC2412K/RS/-X	CHIP TRANSISTOR		
C 203	QEKJ0JM-227Z	E CAPACITOR	220MF 20% 6.3V		Q 321	DTC144EKA-X	TRANSISTOR		
C 204	NCB21HK-333X	C CAPACITOR			Q 323	2SC2412K/RS/-X	CHIP TRANSISTOR		
C 205	NCB21HK-222X	C CAPACITOR			Q 371	2SA952/LK/-T	TRANSISTOR		
C 206	QEKJ1CM-106Z	E CAPACITOR	10MF 20% 16V		Q 372	DTC124EKA-X	TRANSISTOR		
C 207	NCS21HJ-561X	C CAPACITOR			Q 375	2SB562/C/-T	TRANSISTOR		
C 208	QEKJ1EM-475Z	E CAPACITOR	4.7MF 20% 25V		Q 376	2SC2412K/RS/-X	CHIP TRANSISTOR		
C 209	QEKJ1EM-475Z	E CAPACITOR	4.7MF 20% 25V		R 101	NRSA63J-220X	MG RESISTOR		
C 210	NCB21HK-682X	C CAPACITOR			R 102	NRSA63J-182X	MG RESISTOR		
C 211	NCB21HK-122X	C CAPACITOR			R 103	NRSA63J-242X	MG RESISTOR		
C 212	NCB21EK-683X	C CAPACITOR			R 104	NRSA63J-122X	MG RESISTOR		
C 213	NCB21HK-222X	C CAPACITOR			R 105	NRSA63J-104X	MG RESISTOR		
C 221	NCS21HJ-331X	C CAPACITOR			R 106	NRSA63J-332X	MG RESISTOR		
C 301	QEKJ1AM-107Z	E CAPACITOR	100MF 20% 10V		R 107	NRSA63J-123X	MG RESISTOR		
C 302	NCB21HK-393X	C CAPACITOR			R 108	NRSA63J-562X	MG RESISTOR		
C 303	QEKJ0JM-227Z	E CAPACITOR	220MF 20% 6.3V		R 109	NRSA63J-122X	MG RESISTOR		
C 304	QEKJ1CM-226Z	E CAPACITOR	22MF 20% 16V		R 110	NRSA63J-472X	MG RESISTOR		
C 305	QEKJ1CM-226Z	E CAPACITOR	22MF 20% 16V		R 111	NRSA63J-333X	MG RESISTOR		
C 306	QEKJ1CM-476Z	E CAPACITOR	47MF 20% 16V		R 112	NRSA63J-222X	MG RESISTOR		
C 307	NCB21HK-103X	C CAPACITOR			R 113	NRSA63J-472X	MG RESISTOR		
C 308	NCB21HK-562X	C CAPACITOR			R 114	NRSA63J-272X	MG RESISTOR		
C 309	NCB21HK-562X	C CAPACITOR			R 116	NRSA63J-102X	MG RESISTOR		
C 310	NCB21HK-223X	C CAPACITOR			R 121	NRSA63J-102X	MG RESISTOR		
C 311	NCB21HK-682X	C CAPACITOR			R 201	NRSA63J-220X	MG RESISTOR		
C 313	QEKJ1AM-107Z	E CAPACITOR	100MF 20% 10V		R 202	NRSA63J-182X	MG RESISTOR		
C 314	QCZ0205-155Z	ML C CAPACITOR	1.5MF		R 203	NRSA63J-242X	MG RESISTOR		
C 315	QCZ0205-155Z	ML C CAPACITOR	1.5MF		R 204	NRSA63J-122X	MG RESISTOR		
C 316	QFG32AJ-103Z	PP CAPACITOR	.010MF 5% 100V		R 205	NRSA63J-104X	MG RESISTOR		
C 318	NCB21HK-103X	C CAPACITOR			R 206	NRSA63J-332X	MG RESISTOR		
C 319	QFG32AJ-821Z	PP CAPACITOR	820PF 5% 100V		R 207	NRSA63J-123X	MG RESISTOR		
C 321	NCB21HK-103X	C CAPACITOR			R 208	NRSA63J-562X	MG RESISTOR		
C 322	QFG32AJ-152Z	PP CAPACITOR	1500PF 5% 100V		R 209	NRSA63J-122X	MG RESISTOR		
C 331	QEKJ1CM-476Z	E CAPACITOR	47MF 20% 16V		R 210	NRSA63J-472X	MG RESISTOR		
C 351	QEKJ1CM-106Z	E CAPACITOR	10MF 20% 16V		R 211	NRSA63J-333X	MG RESISTOR		
C 371	QEKJ1EM-475Z	E CAPACITOR	4.7MF 20% 25V		R 212	NRSA63J-222X	MG RESISTOR		
C 374	QEKJ1AM-107Z	E CAPACITOR	100MF 20% 10V		R 213	NRSA63J-472X	MG RESISTOR		
C 375	QEKJ1AM-107Z	E CAPACITOR	100MF 20% 10V		R 214	NRSA63J-272X	MG RESISTOR		
C 376	NCB21HK-103X	C CAPACITOR			R 216	NRSA63J-102X	MG RESISTOR		
CN 31	QGF1201F3-06	CONNECTOR			R 221	NRSA63J-102X	MG RESISTOR		
CN 32	QGB2011M1-10	B TO B CONNECTO			R 301	NRS181J-221X	MG RESISTOR		
CN 33	QGF1205F1-09	CONNECTOR			R 303	NRSA63J-393X	MG RESISTOR		
CN 34	QGF1201F3-10	CONNECTOR			R 304	NRS181J-101X	MG RESISTOR		
D 301	MA152WA-X	DIODE			R 305	NRSA63J-222X	MG RESISTOR		
D 309	MA704A-X	S.K.DIODE			R 306	NRSA63J-222X	MG RESISTOR		
D 375	MA3051/M/-X	ZENER DIODE			R 310	NRS181J-560X	MG RESISTOR		
FW 31	QUM024-06A2Z3	PARA RIBON WIRE			R 311	NRS181J-560X	MG RESISTOR		
IC 31	BA3126N	IC			R 313	NRSA63J-3R3X	MG RESISTOR		
IC 32	AN7317	IC			R 314	NRSA63J-223X	MG RESISTOR		

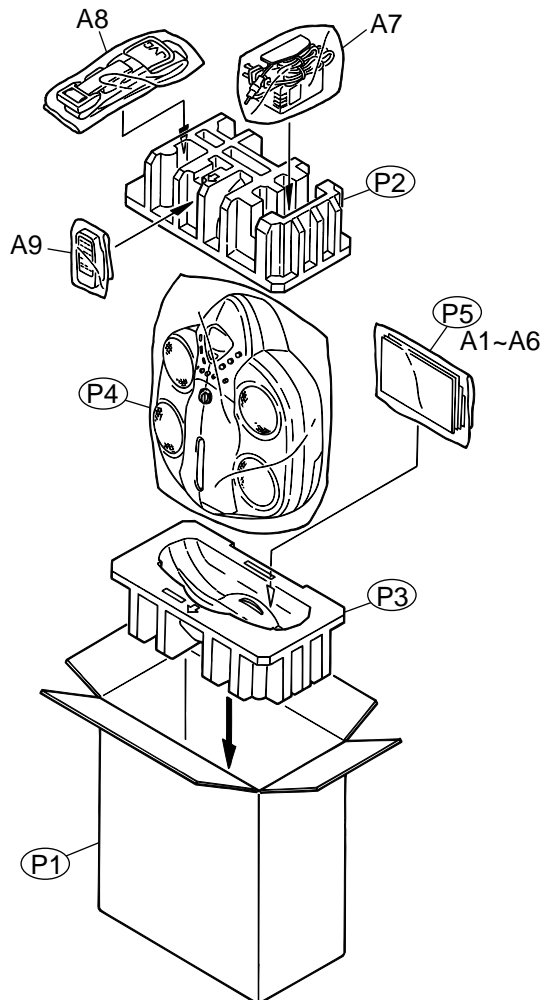
■ Electrical parts list (Head amplifier & mechanism board) Block No. 05

△	Item	Parts number	Parts name	Remarks	Area
	R 315	NRSA63J-100X	MG RESISTOR		
	R 316	NRSA63J-223X	MG RESISTOR		
	R 317	NRSA63J-100X	MG RESISTOR		
	R 319	NRSA63J-152X	MG RESISTOR		
	R 322	NRSA63J-152X	MG RESISTOR		
	R 327	NRSA63J-474X	MG RESISTOR		
	R 332	NRSA63J-123X	MG RESISTOR		
	R 333	NRSA63J-123X	MG RESISTOR		
	R 335	NRSA63J-152X	MG RESISTOR		
	R 336	NRSA63J-472X	MG RESISTOR		
	R 337	NRSA63J-332X	MG RESISTOR		
	R 338	NRSA63J-392X	MG RESISTOR		
	R 339	NRSA63J-222X	MG RESISTOR		
	R 340	NRS181J-391X	MG RESISTOR		
	R 341	NRSA63J-123X	MG RESISTOR		
	R 342	NRSA63J-203X	MG RESISTOR		
	R 343	NRSA63J-183X	MG RESISTOR		
	R 351	NRSA63J-683X	MG RESISTOR		
	R 352	NRSA63J-912X	MG RESISTOR		
	R 371	NRSA63J-123X	MG RESISTOR		
	R 372	NRSA63J-102X	MG RESISTOR		
	R 375	NRSA02J-151X	MG RESISTOR		
	R 376	NRSA63J-472X	MG RESISTOR		
	VR 31	QVP0008-503Z	SEMI.V.RESISTOR		
	VR 32	QVP0008-503Z	SEMI.V.RESISTOR		
	VR 37	QVP0008-103Z	SEMI.V.RESISTOR		

■ Electrical parts list (Cassette switch board) Block No. 06

△	Item	Parts number	Parts name	Remarks	Area
	CN 1	QGB2011L1-10	B TO B CONNECTO		
	D 1	1SR139-400-T2	SI DIODE		
	IC 1	SG-105F3-BB,C	PHOTO SENSER		
	P 1	QNZ0104-001	POST PIN		
	SW 1	QSW0832-001	LEAF SWITCH	R.REC	
	SW 2	QSW0832-001	LEAF SWITCH	TAPE	
	SW 4	QSW0832-001	LEAF SWITCH	70U	
	SW 5	QSW0832-001	LEAF SWITCH	F.REC	
	SW 6	QSW0859-001	DETECT SWITCH		

Packing materials and accessories parts list

Block No. M 3 M MBlock No. M 4 M M

■ Parts list (Packing)

Block No. M3MM

△	Item	Parts number	Parts name	Q'ty	Description	Area
	P 1	LV32547-001A	CARTON	1	FOR J	
	P 2	LV10494-001A	CUSHION(UPPER)	1		
	P 3	LV10494-002A	CUSHION(BOTTOM)	1		
	P 4	QPC06007515P	POLY BAG	1		
	P 5	QPA02503505P	POLY BAG	1	FOR INST	

■ Parts list (Accessories)

Block No. M4MM

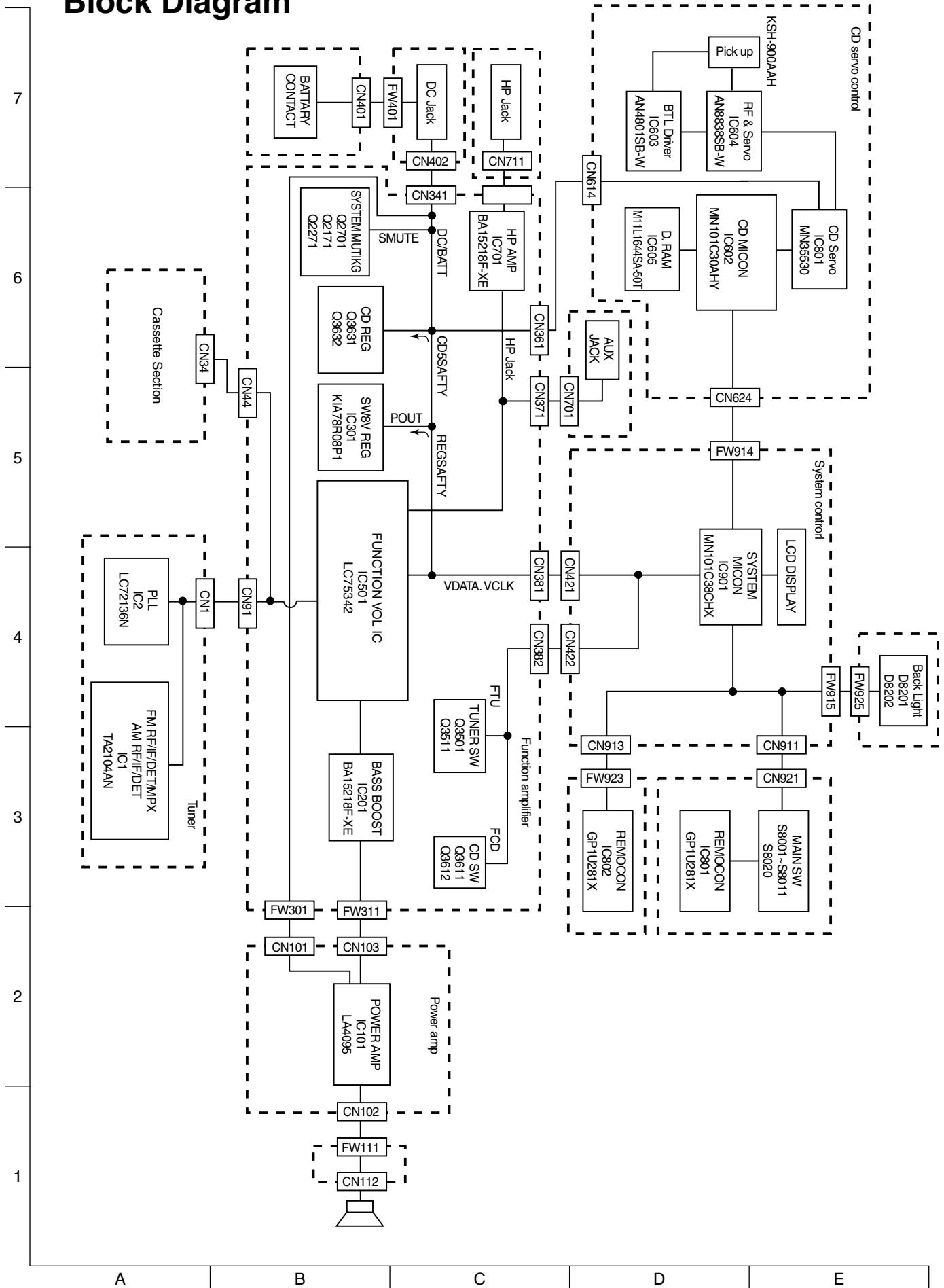
△	Item	Parts number	Parts name	Q'ty	Description	Area
	A 1	LVT0682-001B	INST.BOOK	1	ENG	
	A 2	BT-52004-1	WARRANTY CARD	1		
	A 3	BT-51018-2	WARRANTY CARD	1		
	A 4	BT-20044G	WARRANTY CARD	1		
	A 5	BT-20071B	JVC CENTER LIST	1		
	A 6	BT-51020-2	J=REGIST CARD	1		
	A 7	LV32785-001A	SHOULDER BELT	1		
△	A 8	QAL0325-001	AC ADAPTOR	1		
	A 9	RM-SRSWP1J	REMOCON	1		

Safety Precautions

In regard with component parts appearing on the silk-screen printed side (parts side) of the PWB diagrams, the parts that are printed over with black such as the resistor (■), diode (▣) and ICP (●) or identified by the "△" mark nearby are critical for safety.

When replacing them, be sure to use the parts of the same type and rating as specified by the manufacturer.
(Except the J and C version)

Block Diagram

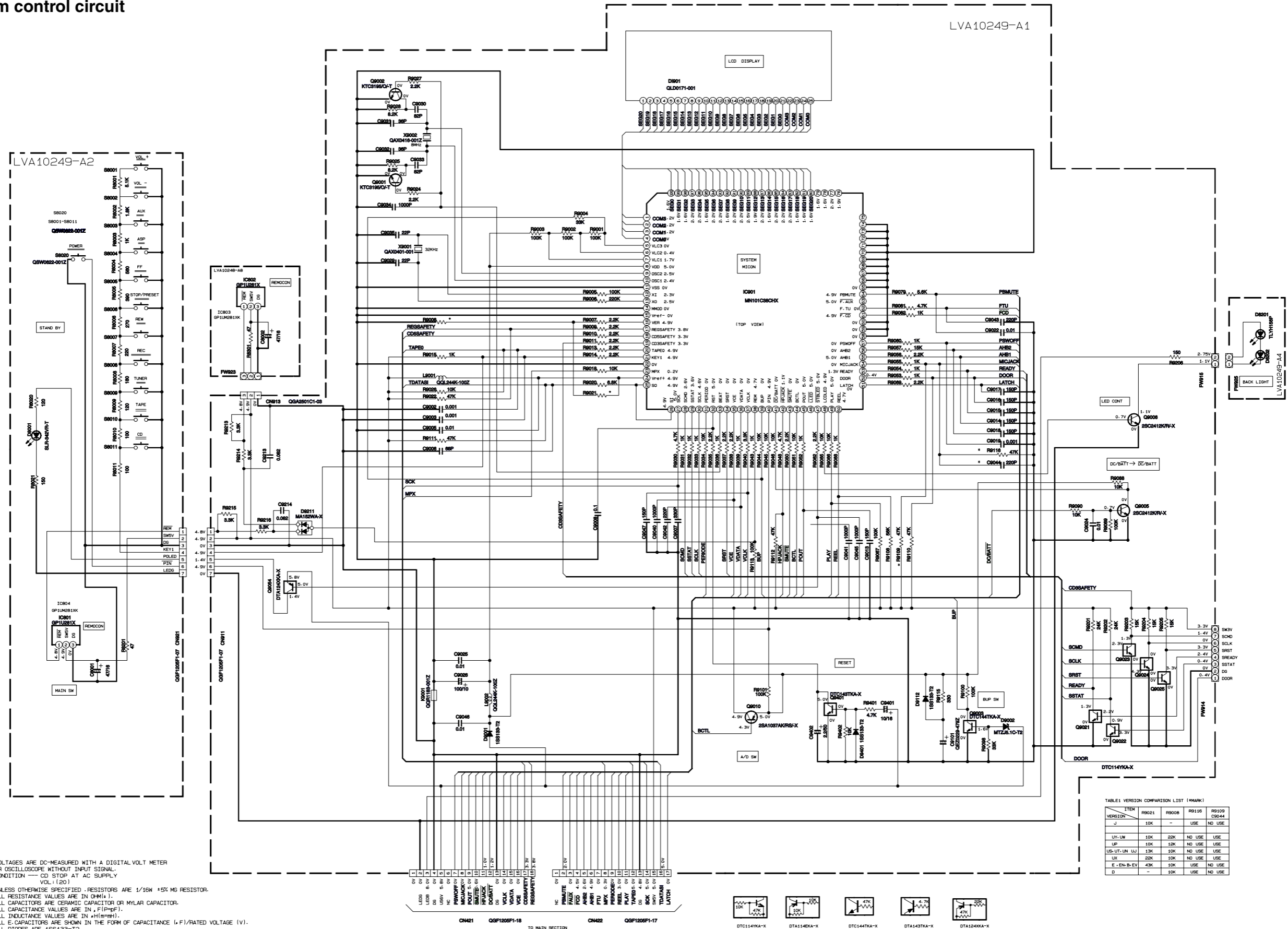


— MEMO —

Standard schematic diagrams

System control circuit

7
6
5
4
3
2
1



- NOTES**
1. VOLTAGES ARE DC-MEASURED WITH A DIGITAL VOLT METER OR OSCILLOSCOPE WITHOUT INPUT SIGNAL. CONDITION --- CD STOP AT AC SUPPLY VOL: 120V
 2. UNLESS OTHERWISE SPECIFIED, RESISTORS ARE 1/16W ±5% MG RESISTOR. ALL RESISTANCE VALUES ARE IN OHM (Ω). ALL CAPACITORS ARE CERAMIC CAPACITOR OR MYLAR CAPACITOR. ALL CAPACITANCE VALUES ARE IN P (pF). ALL INDUCTANCE VALUES ARE IN μH (μH). ALL E-CAPACITORS ARE SHOWN IN THE FORM OF CAPACITANCE (F)/RATED VOLTAGE (V). ALL DIODES ARE 1SS133-T2

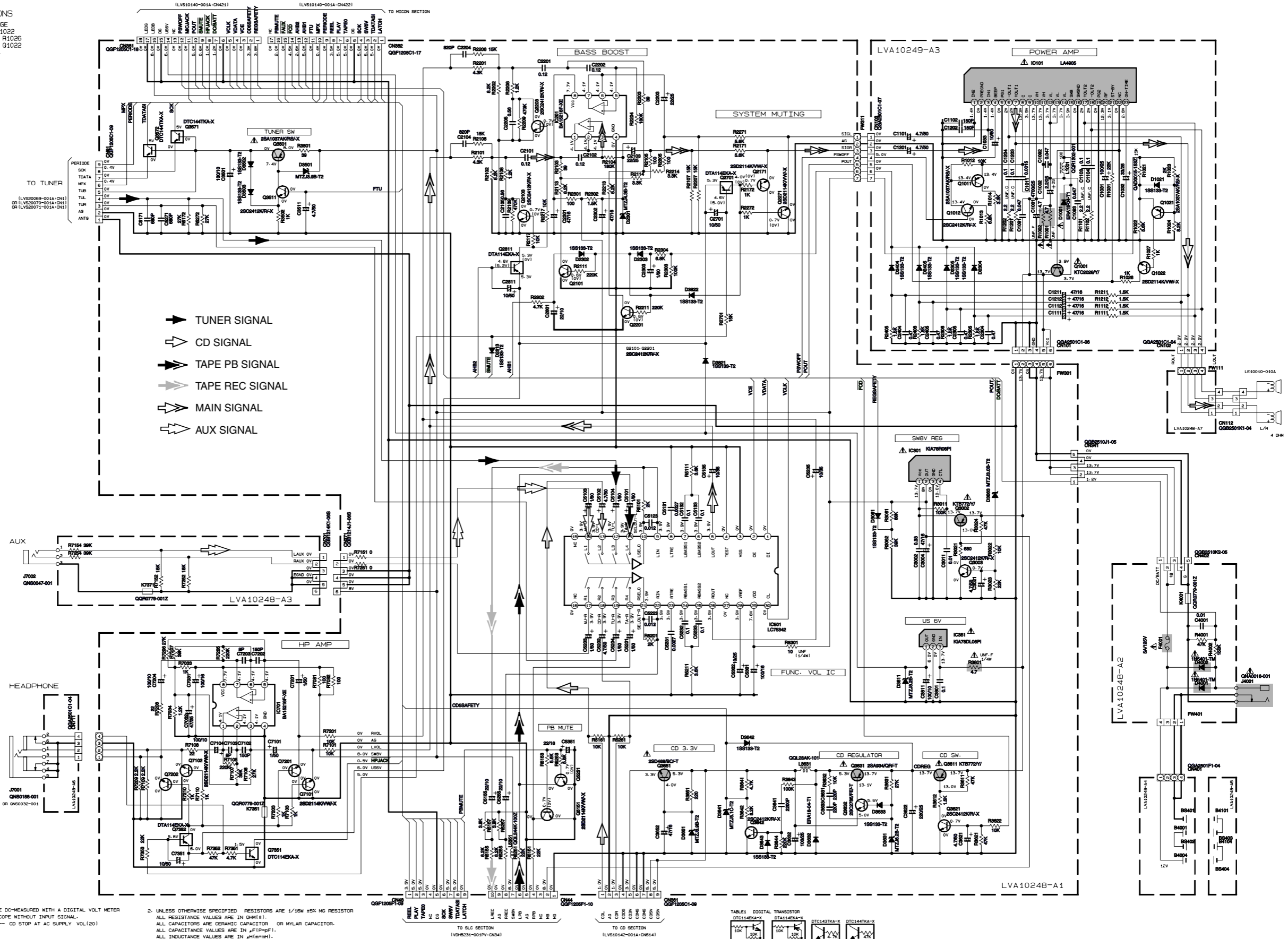
TABLE1 VERSION COMPARISON LIST (MARK)

VERSION	ITEM	R0021	R0008	R0116	R0109
J	C0044	10K	-	USE	NO USE
	UV, LW	10K	20K	NO USE	USE
	UP	10K	10K	NO USE	USE
	US, UT, UN, LU	10K	10K	NO USE	USE
	UX	20K	10K	NO USE	USE
	E-EN-B-EV	40K	10K	USE	NO USE
D		-	10K	USE	NO USE

A B C D E F G H I J

Function amplifier circuit

REVISIONS
 RUNNING CHANGE
 ADD R1021 R1022
 R1023 R1024 R1025
 R1027 Q1021 Q1022
 D3063 D1021.



NOTES

- VOLTAGES ARE DC-MEASURED WITH A DIGITAL VOLT METER OR OSCILLOSCOPE WITHOUT INPUT SIGNAL.
 CONDITION — CD STOP AT AC SUPPLY VOL(120)
- UNLESS OTHERWISE SPECIFIED RESISTORS ARE 1/16W ±5% MG RESISTOR
 ALL RESISTANCE VALUES ARE IN OHM(Ω).
 ALL CAPACITORS ARE CERAMIC CAPACITOR OR MYLAR CAPACITOR.
 ALL CAPACITANCE VALUES ARE IN μF(P-P-P).
 ALL INDUCTANCE VALUES ARE IN μH(M-H).
 ALL E-CAPACITORS ARE SHOWN IN THE FORM OF CAPACITANCE (μF)/RATED VOLTAGE (V).
 ALL DIODES ARE 1SS133-T2

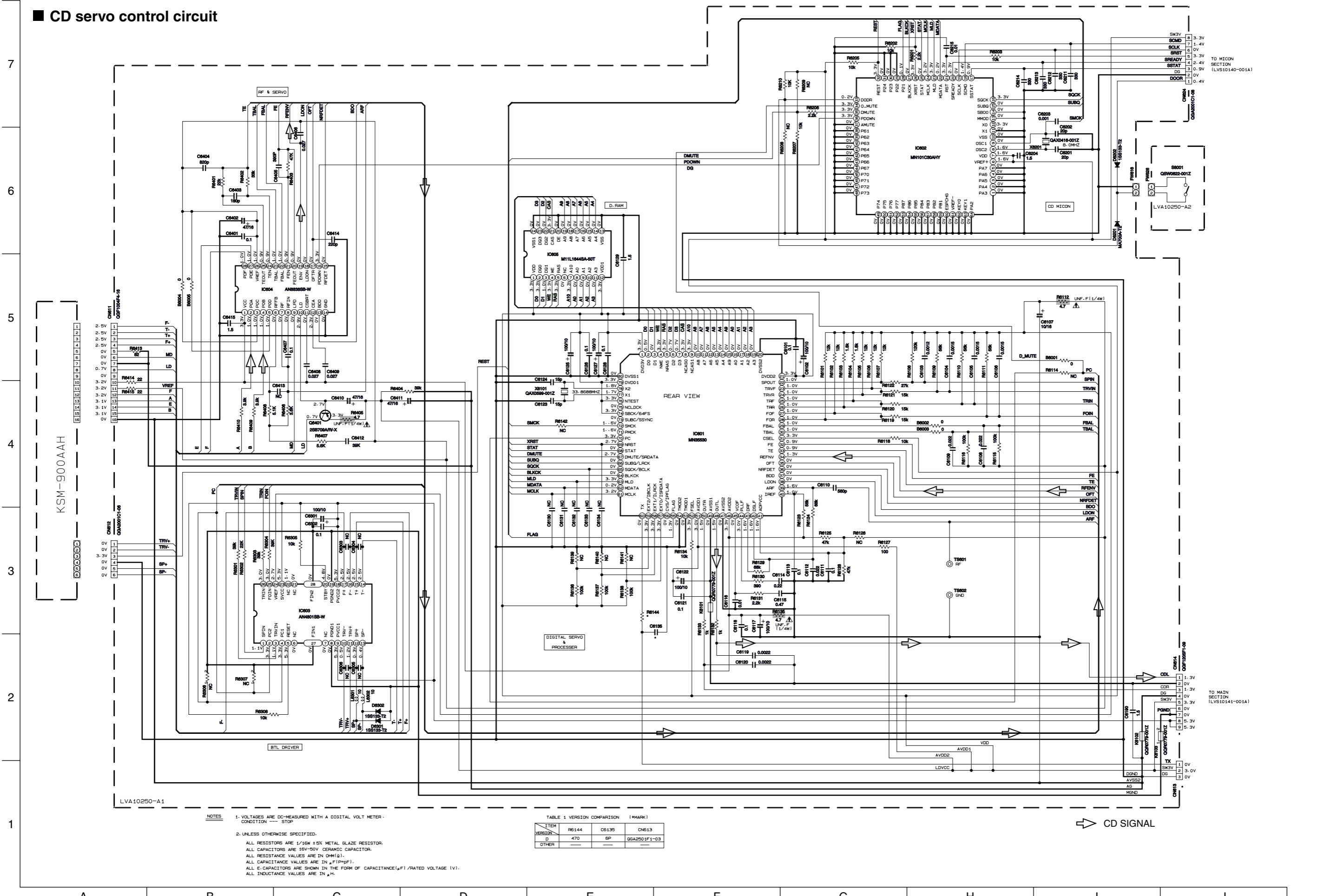
TABLE 1 DIGITAL TRANSISTOR

--	--	--	--

7
6
5
4
3
2
1

A B C D E F G H I J

CD servo control circuit



LVA10250-A1

- NOTES
1. VOLTAGES ARE DC-MEASURED WITH A DIGITAL VOLT METER. CONDITION --- STOP
 2. UNLESS OTHERWISE SPECIFIED.
 - ALL RESISTORS ARE 1/16W ±5% METAL GLAZE RESISTOR.
 - ALL CAPACITORS ARE 1KV-50V CERAMIC CAPACITOR.
 - ALL RESISTANCE VALUES ARE IN Ω(M).G).
 - ALL CAPACITANCE VALUES ARE IN μF(PpPpF).
 - ALL E. CAPACITORS ARE SHOWN IN THE FORM OF CAPACITANCE(μF)/RATED VOLTAGE (V).
 - ALL INDUCTANCE VALUES ARE IN μH.

TABLE 1 VERSION COMPARISON (*MARK)

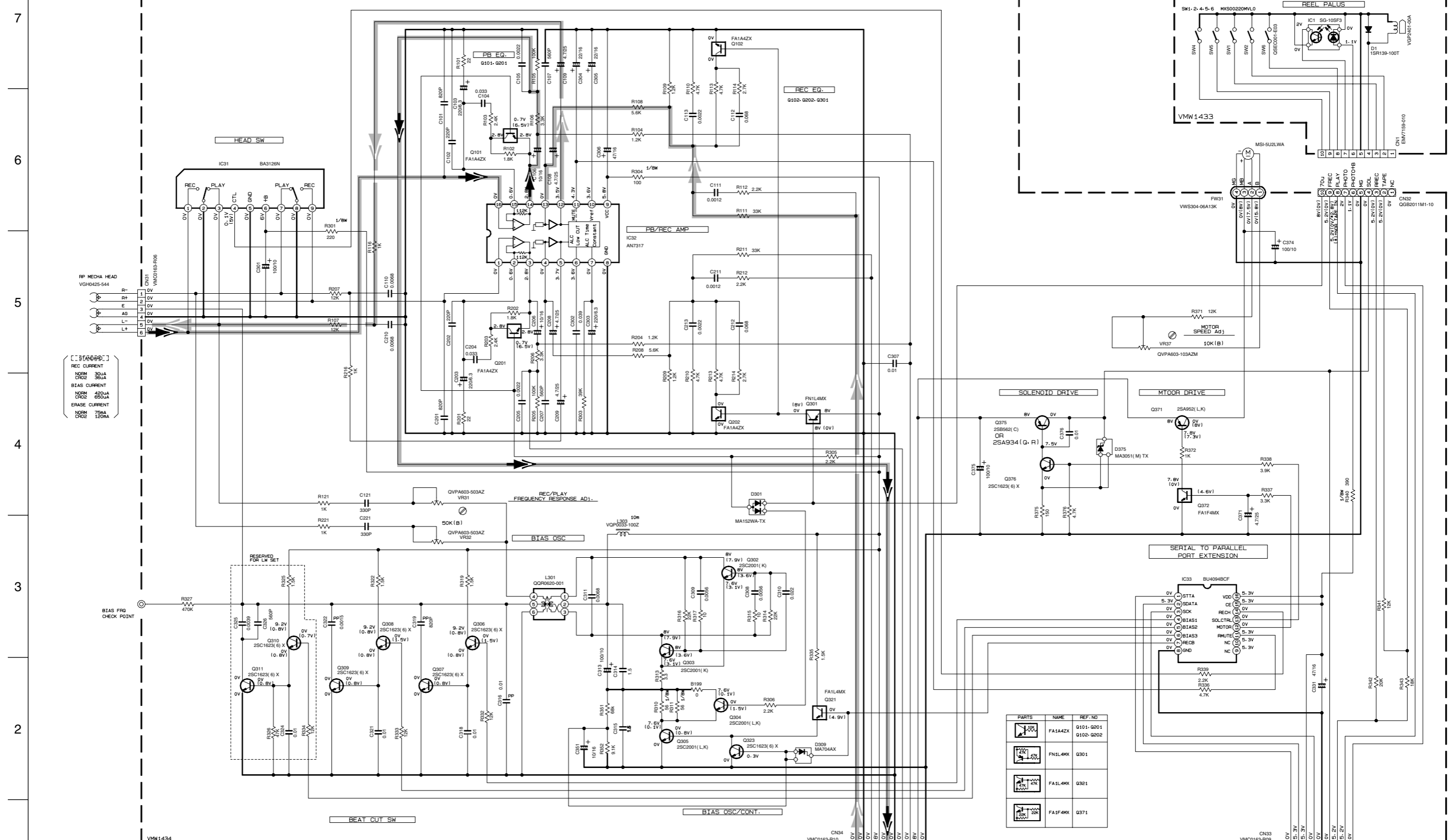
ITEM	R6144	C6135	C6113
D	470	6P	6SA2501F1-03
OTHER			

TO MICON SECTION (LVS10140-001A)

TO MAIN SECTION (LVS10141-001A)

➔ CD SIGNAL

■ Cassette amplifire section



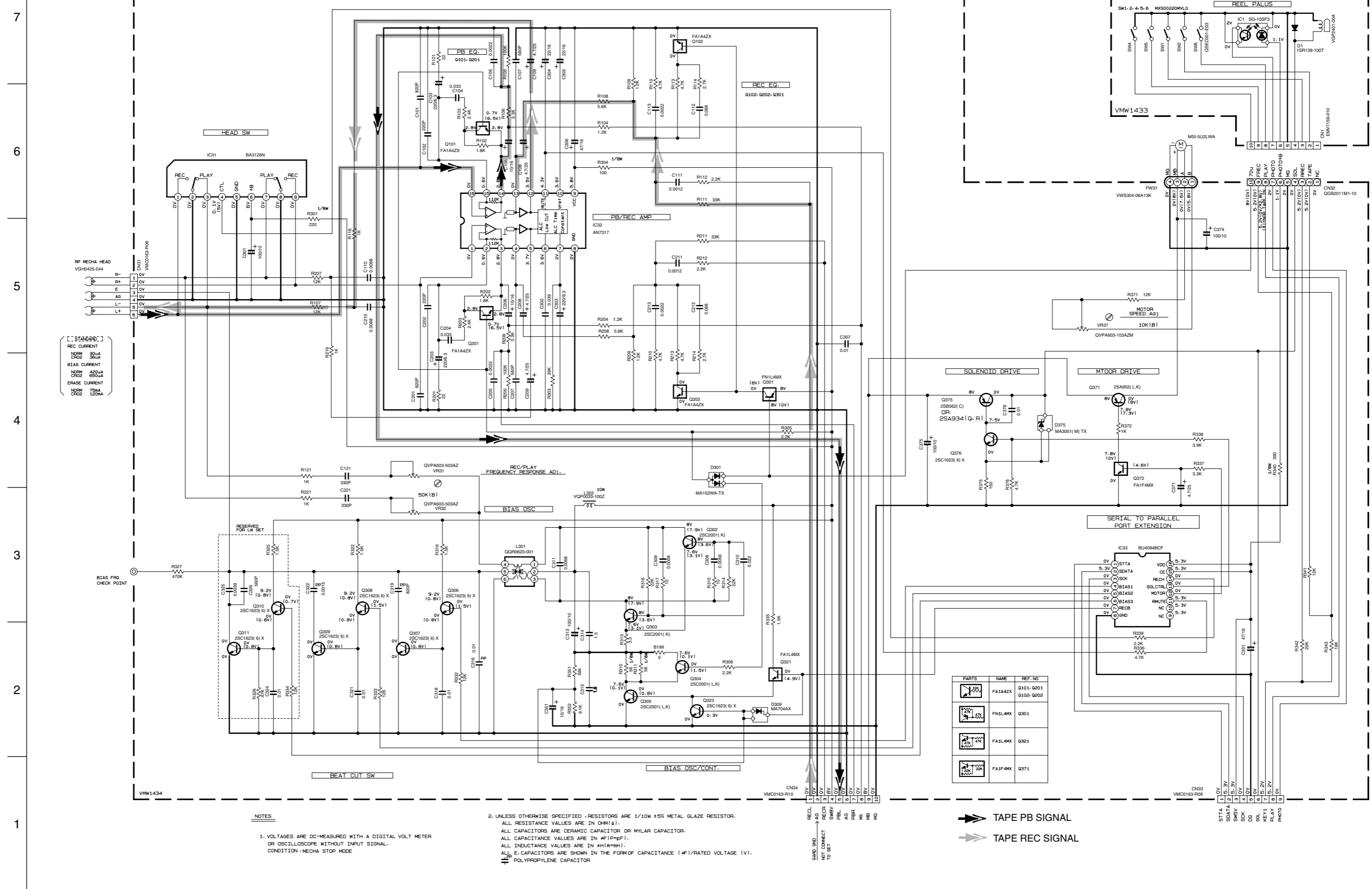
REC CURRENT
NORM CHRG 300A
BIAS CURRENT
NORM CHRG 4500A
ERASE CURRENT
NORM CHRG 750A
1200A

NOTES

- VOLTAGES ARE DC-MEASURED WITH A DIGITAL VOLT METER OR OSCILLOSCOPE WITHOUT INPUT SIGNAL-CONDITION MECHA STOP MODE
- UNLESS OTHERWISE SPECIFIED - RESISTORS ARE 1/10W ±5% METAL GLAZE RESISTOR. ALL RESISTANCE VALUES ARE IN OHM(Ω).
- ALL CAPACITORS ARE CERAMIC CAPACITOR OR MYLAR CAPACITOR. ALL CAPACITANCE VALUES ARE IN #F(P=PF).
- ALL INDUCTANCE VALUES ARE IN #H(M=MH).
- E-CAPACITORS ARE SHOWN IN THE FORM OF CAPACITANCE (#F)/RATED VOLTAGE (V).
- POLYPROPYLENE CAPACITOR

PARTS	NAME	REF. NO
[Symbol]	FA1A4ZX	G101-G201 G102-G202
[Symbol]	FN1L4MX	G301
[Symbol]	FA1L4MX	G301
[Symbol]	FA1F4MX	G371

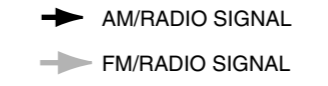
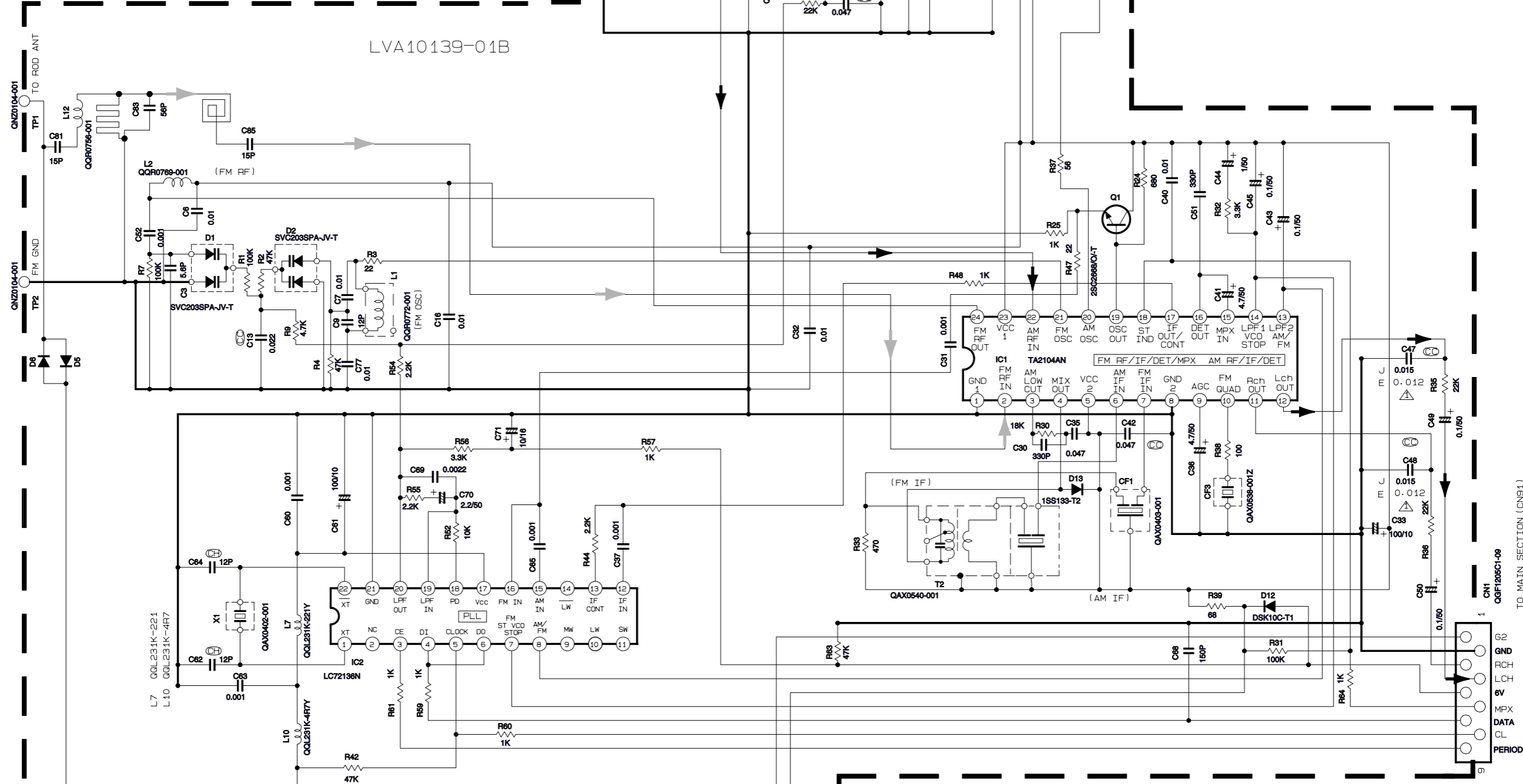
▶ TAPE PB SIGNAL
▶ TAPE REC SIGNAL



■ Tuner circuit

PIN NO	1	2	3	4	5	6	7	8	9	10	11	12	13	14	15	16	17	18	19	20	21	22	23	24
IC1	FM NO SIGNAL	0	0.6	0	3.6	4	3.5	4	0	0.6	3.2	1.2	1.2	3.4	3.3	0.7	1.4	1.2	0	3.9	4	4.1	4	4
	FM 500B STEREO	0	0.8	0.2	3.8	4.1	3.9	4.1	0	3.3	1.2	1.2	3.3	3.4	0.7	1.1	1.4	0.7	4	4.1	4.1	4.1	4.1	4.1
	AM 530KHZ NO SIGNAL	0	0	1	4.3	4.3	3.6	4.3	0	0.2	3.9	1.2	1.2	0	0	0.7	1.1	1.2	0.7	4.2	4.3	4.3	4.3	4.3
PIN NO	1	2	3	4	5	6	7	8	9	10	11	12	13	14	15	16	17	18	19	20	21	22		
IC2	FM NO SIGNAL	2.5	0	0	5.1	5.1	5.1	3.5	3.2	3.9	2.5	4.1	0	1.4	1.7	0	2.4	0	0.9	0.9	1.5	0	2	
TR NO																								
PIN NO	E	C	B																					
	AM 530KHZ NO SIGNAL	3.4	4.3	4.2																				
	AM 1440KHZ NO SIGNAL	3.4	4.3	4.2																				

- NOTES
1. VOLTAGES ARE DC-MEASURED WITH A DIGITAL VOLT METER
 2. ALL RESISTORS ARE 1/4W 5% CARBON RESISTOR.
 3. ALL RESISTANCE VALUES ARE IN OHM(Ω).
 4. ALL CAPACITANCE VALUES ARE IN #F(P=PF).
 5. ALL E-CAPS ARE SHOWN IN THE FORM OF CAPACITANCE (#F)/RATED VOLTAGE (V).
 6. ALL INDUCTANCE VALUES ARE IN #H(m=mH)



Printed circuit boards

■ Micom board

Block No.

0	2
---	---

7

6

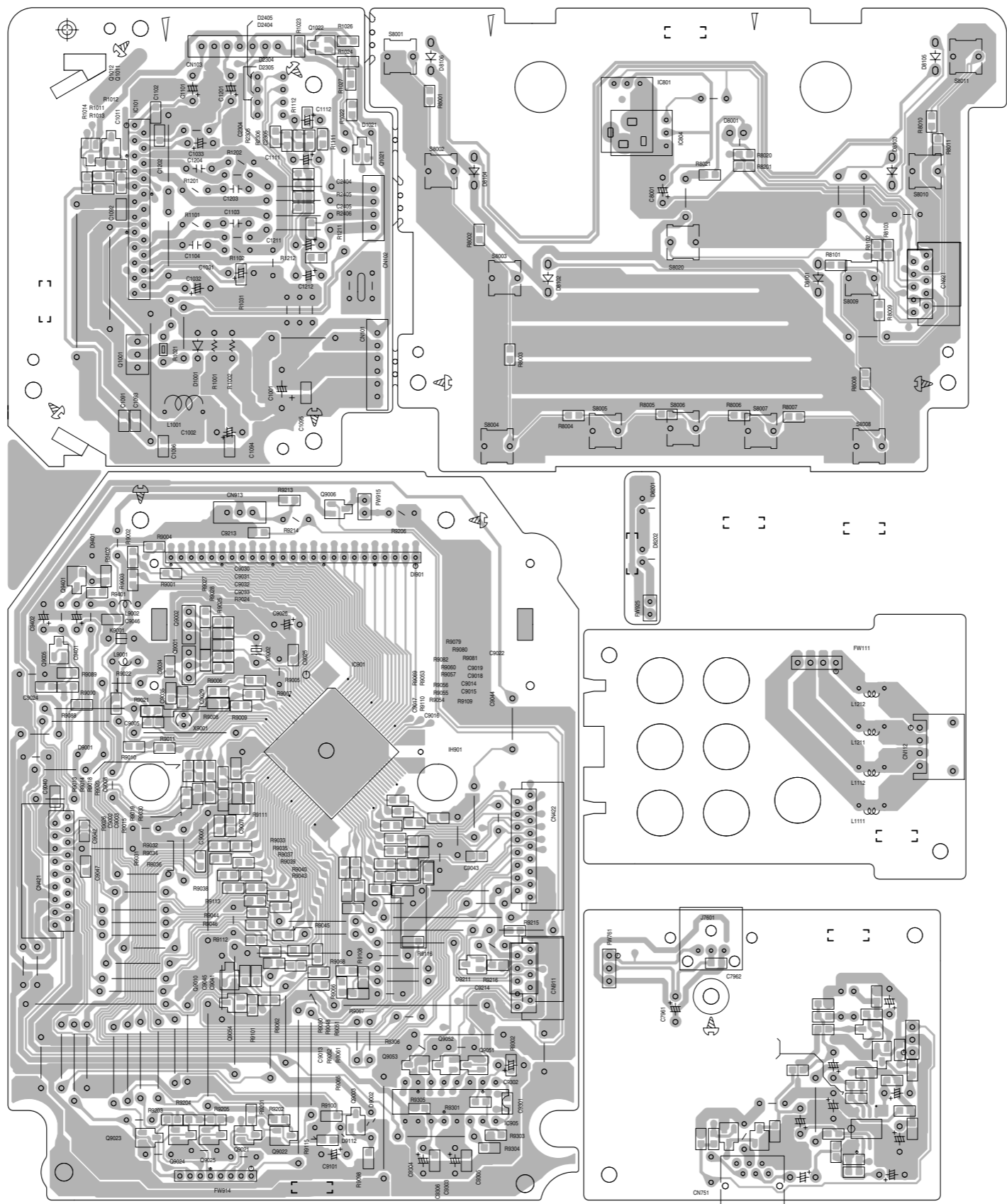
5

4

3

2

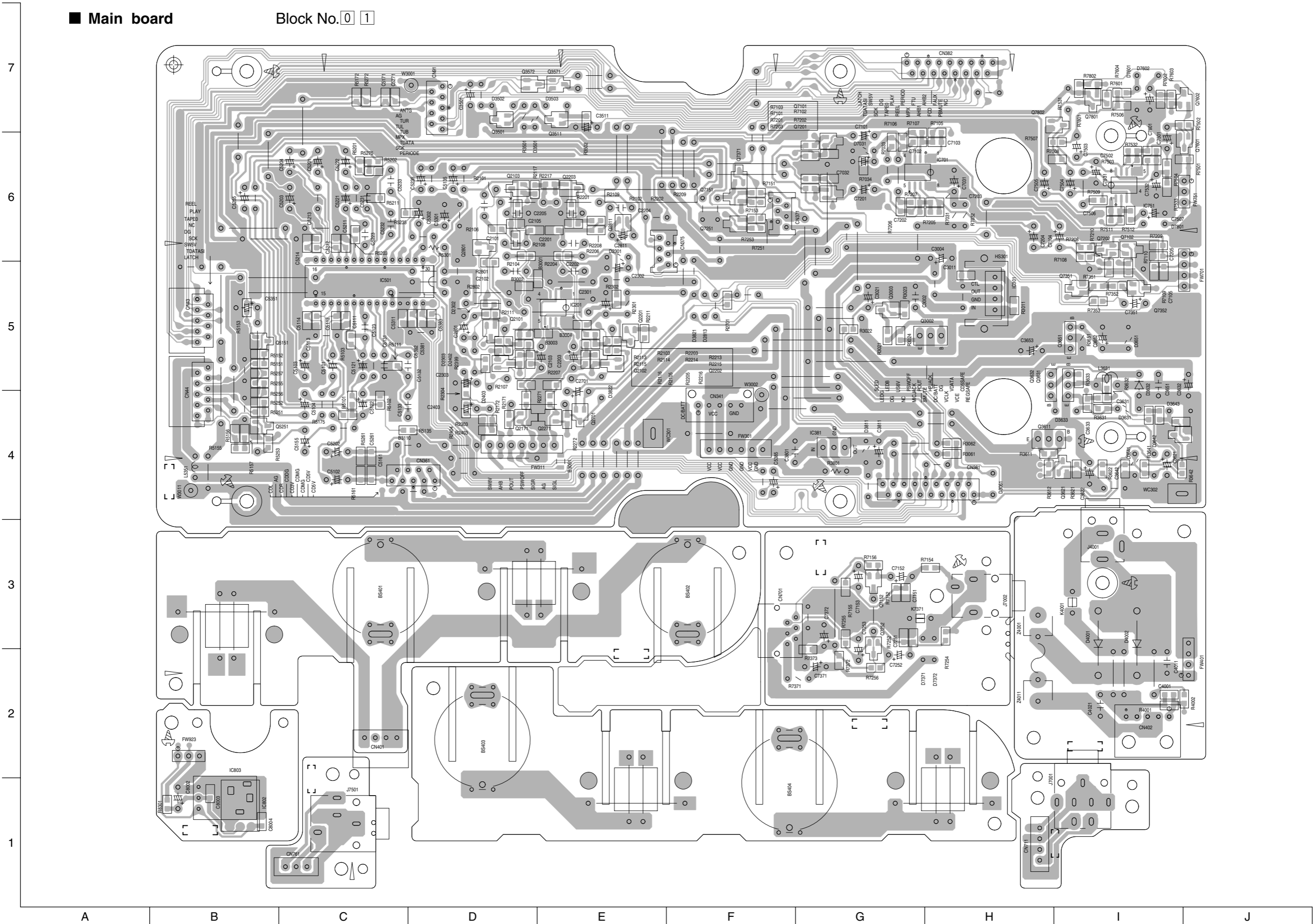
1



A B C D E F G H I J

■ Main board

Block No. 0 1

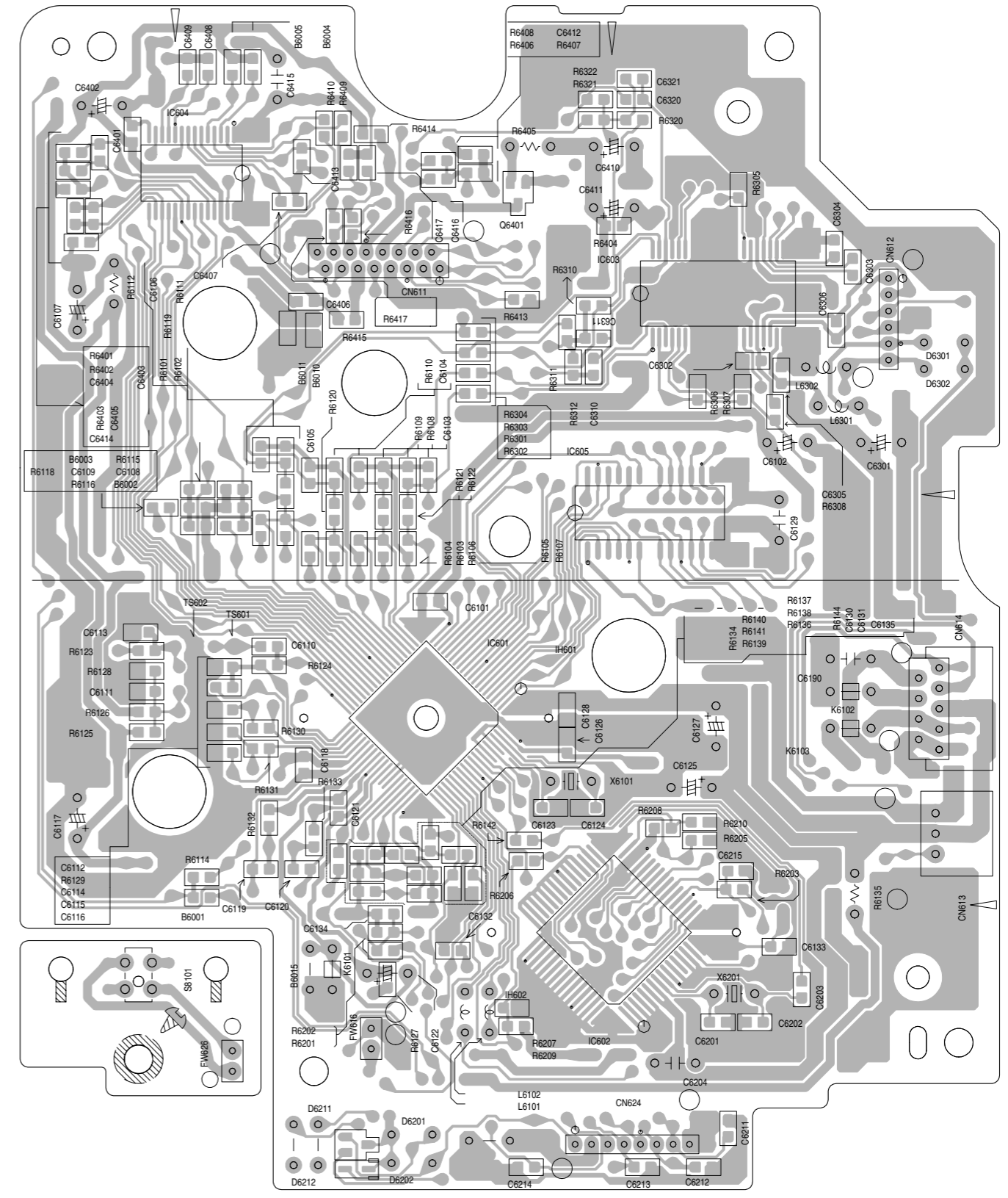
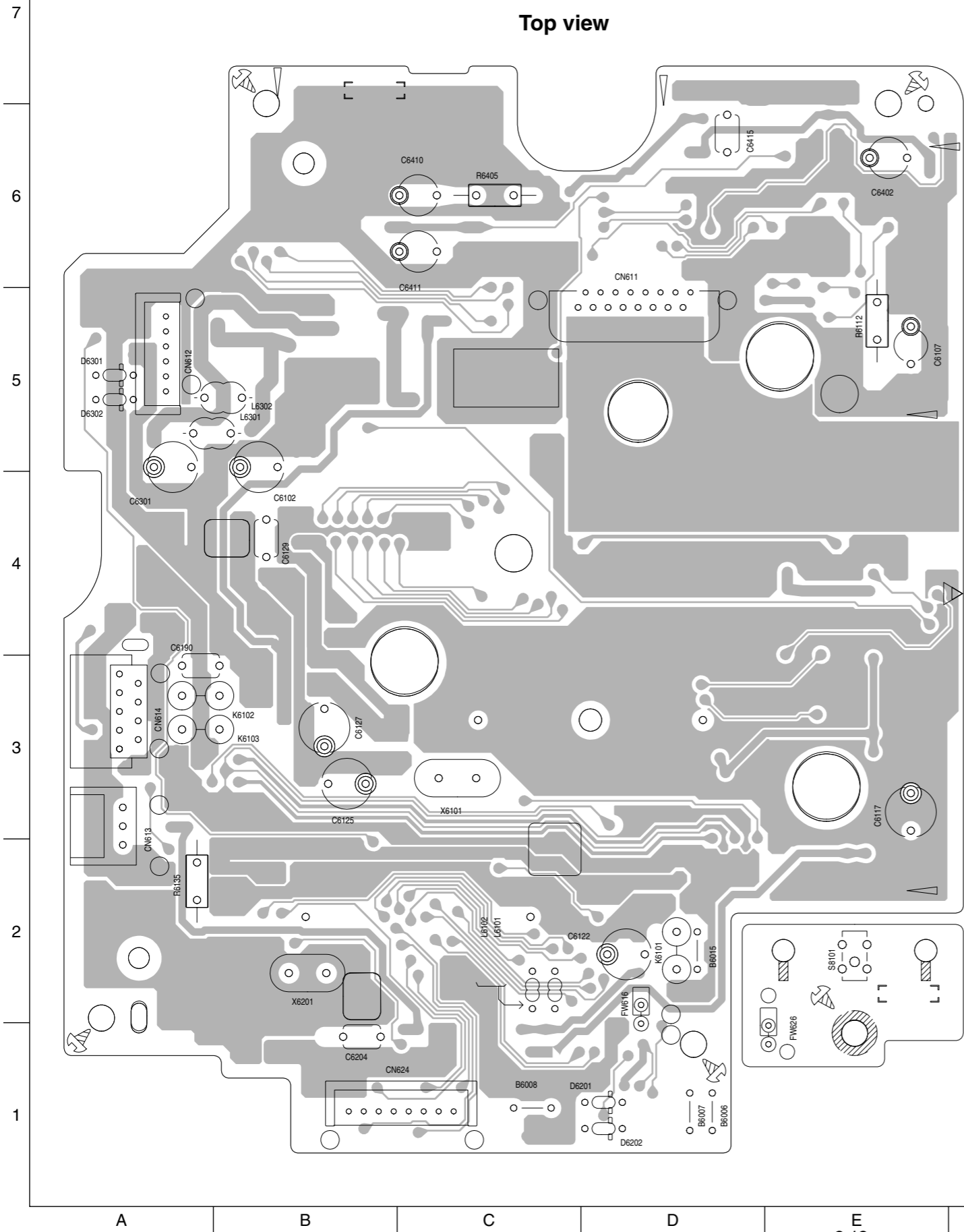


■ CD servo board

Block No. 0 3

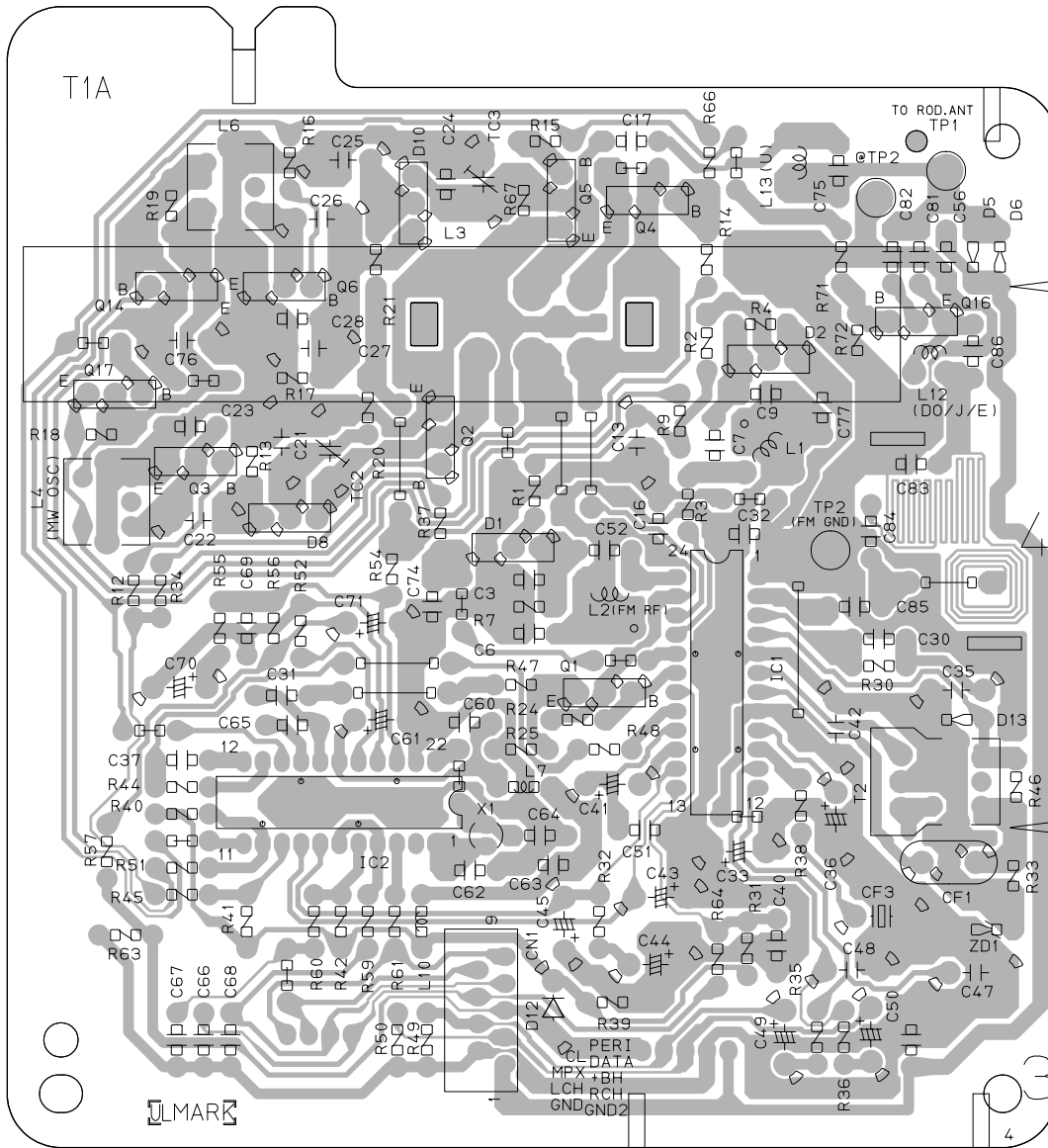
Top view

Bottom view



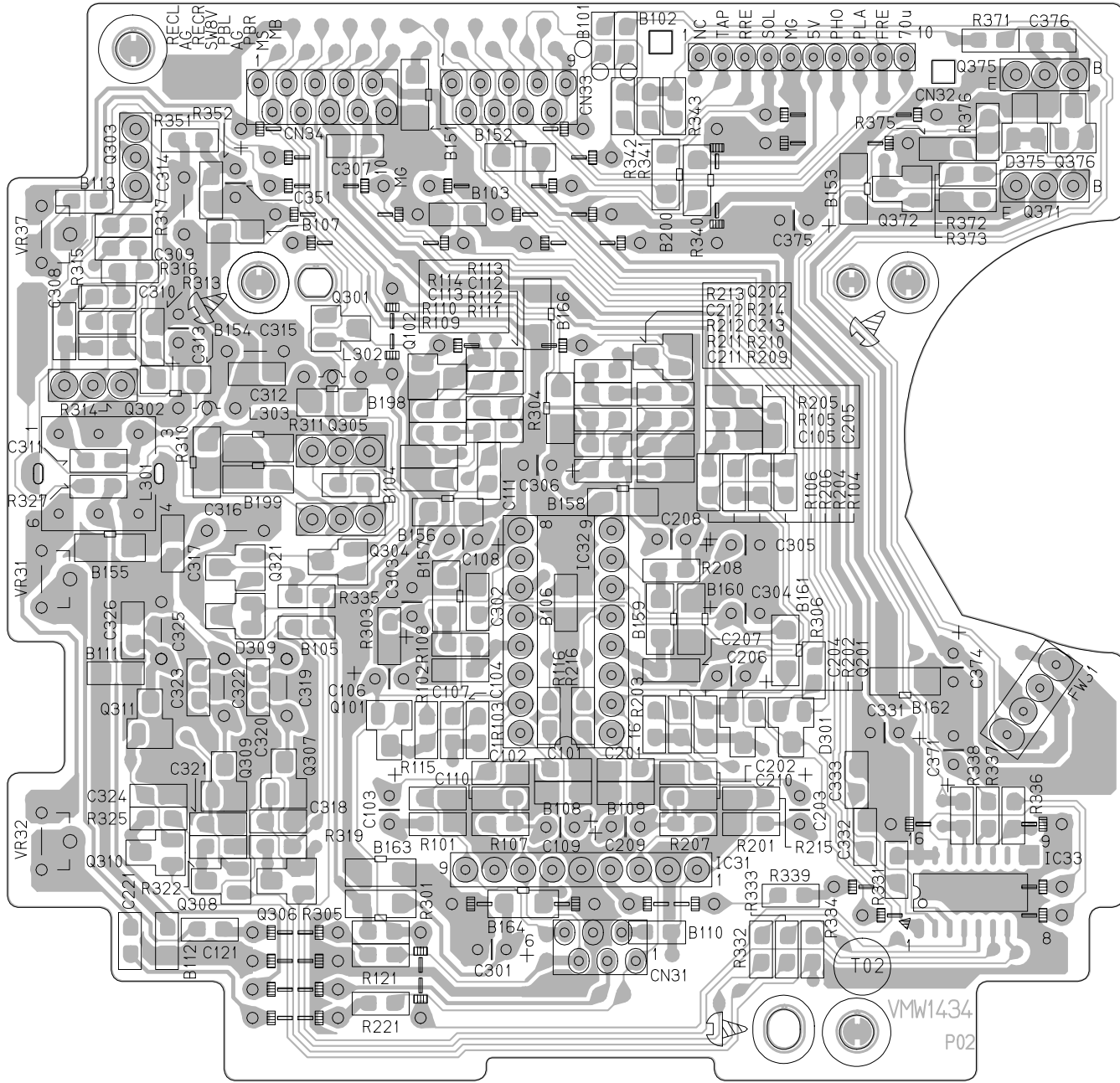
■ Tuner Board

Block No. 0 4



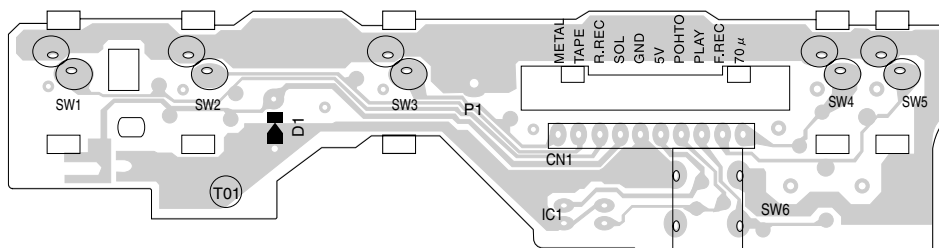
■ Head amplifier & mechanism board

Block No. 0 5



■ Cassette switch board

Block No. 0 6



— MEMO —